

0025- MACH LIST FOR-1132 MOD-001 SER- 11512 PLT- REOSTR- REAL TIME **13JUN67
 CTRY CUST-7855200-2524ST OLA SER BR-380 SYS# -615-20393 TYP-1130
 SHIPPED- 0 5 SHP-SEQ-A0013 FCT-SEQ-B0008 W/D SUF MACH-STA-

SEQ # EC # STATUS FLD B/M FCSI # TIME ECA # DATE
 A0013 419634 PRES LVL

B0008 419621C FACT LVL
 INQUIRY

FEAT B/M	QTY	FEATURE NAME	STATUS	DATE	ACC	SHP-LVL-FCT
0180528	001		INT	0 JUN67		D0001 E0000

FEATURE ON HISTORY BUT NOT IN MASTER

0738125	001	NG GROUP	INT	0 JUN67		D0001 E0000
D0001		415480C PRES LVL				

0738136	001	BLUE STAND	INT	0 JUN67		D0001 E0000
D0001		415480C PRES LVL				

0738200	000	PRINTER FINAL ASM	INT	0 JUN67		D0001 E0002
D0001		415763A PRES LVL				

E0002		419621B FACT LVL				
-------	--	------------------	--	--	--	--

0738205	001	DOMESTIC COVER GP	INT	0 JUN67		D0001 E0000
D0001		415480C PRES LVL				

0738430	001	LANG GP ENG	INT	0 JUN67		D0001 E0000
D0001		415480C PRES LVL				

0738500	001	COMPLETION GP 60 CY	INT	0 JUN67		D0002 E0000
D0002		415781 PRES LVL				

0738594	001		INT	0 JUN67		D0001 E0000
---------	-----	--	-----	---------	--	-------------

FEATURE ON HISTORY BUT NOT IN MASTER

0738632	001	115 VOLT 60 CY SGL PH	INT	0 JUN67		D0002 E0000
D0002		419634 PRES LVL				

PAGE NAME	PAGE	PAGE NO.	P/JN
SLDA CHART	0	PR001	2201222
SOCKET LISTING	1	PR001	2201222
PRINT DISK SOLAR CELLS AND AMPLIFIERS		PR101	2201160
SOLAR CELL COMMON CONNECTIONS		PR111	2201161
PRINTER OPERATORS SWITCHES		PR121	2201162
PRINTER CARRIAGE CONTROLS		PR131	2201163
PRINTER CARRIAGE BRUSHES		PR141	2201164
PRINTER INDICATORS AND DRIVERS		PR151	2201165
PRINTER CARRIAGE MAGNETS AND DRIVERS		PR161	2201166
PRINTER DATA POWERING BITS 0-7		PR171	2201167
PRINTER DATA POWERING BITS 8-15		PR181	2201168
PRINT MAGNETS AND DRIVERS 1-10		PR201	2201169
PRINT MAGNETS AND DRIVERS 11-20		PR202	2201170
PRINT MAGNETS AND DRIVERS 21-30		PR203	2201171
PRINT MAGNETS AND DRIVERS 31-40		PR204	2201172
PRINT MAGNETS AND DRIVERS 41-50		PR205	2201173
PRINT MAGNETS AND DRIVERS 51-60		PR206	2201174
PRINT MAGNETS AND DRIVERS 61-70		PR207	2201175
PRINT MAGNETS AND DRIVERS 71-80		PR208	2201176
PRINT MAGNETS AND DRIVERS 81-90		PR209	2201177
PRINT MAGNETS AND DRIVERS 91-100		PR211	2201178
PRINT MAGNETS AND DRIVERS 101-110		PR212	2201179
PRINT MAGNETS AND DRIVERS 111-120		PR213	2201180
PRINTER ENTRY		PR301	2201223
PRINTER EXIT		PR311	2201224
AC/DC POWER DISTRIBUTION		YA101	2201330
POWER SUPPLY AND DISTRIBUTION-60 CYCLE <i>115 VOLTS</i>		YA111	2201331
POWER SUPPLY AND DISTRIBUTION-60 CYCLE <i>208/230 Volts</i>		YA111	2201331
+48V PRINT MAGNET CB		YA121	2201332
48V DC POWER SUPPLY		YA131	2201333
CARRIAGE READ BRUSH LATCH CARD		YA141	2201334
CARRIAGE BRUSH LATCH TIMING CHART		YA142	2231323
SOLAR CELL PICTORIAL		YA151	2201335
TIMING CHART--PRINT DISK		YA161	2201336

101

2-5

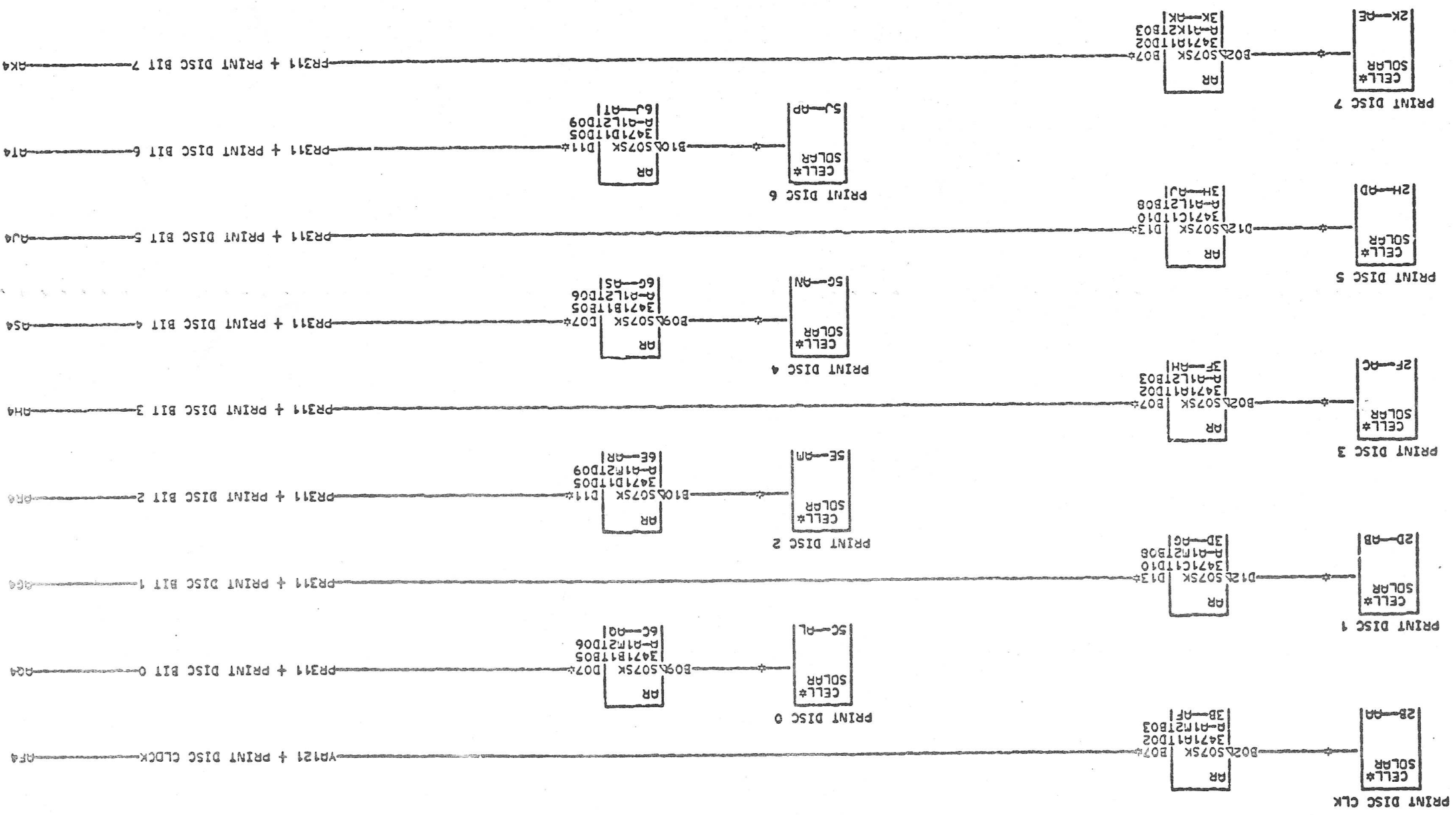
10038

SLDA CHART DATE 09-09-68 MACH: 1132
 LDG 1350 BOARD 03C-91
 PREV ENGR 03-03-67 419521C
 PRES ENGR 08-20-68 131289
 P.No 2201222
 IWM CORP SDD BLK 000

SYMBOLS
 NTF NO RULE/SOCKET
 NCF CONFLICT
 NPT PORTIONS LEFT

	1	2	3	4	5	6	7	8	9	10
A										
B										
C										
D										
E										
F										
G										
H										
J										
K										
L										
M										
N										
P										
Q										
R										
S										
T										
U										
V										
X										
Y										
Z										

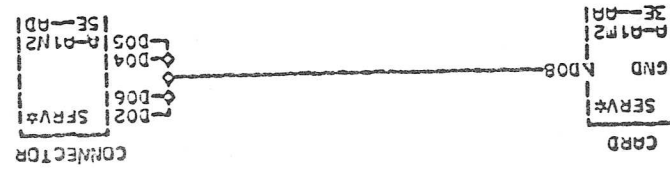
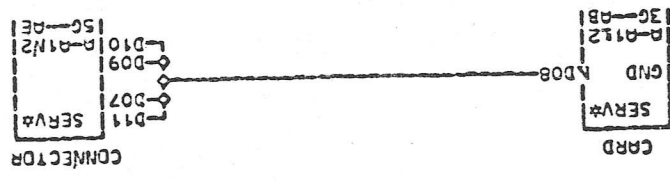
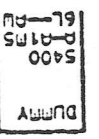
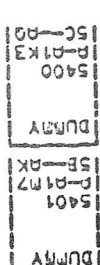
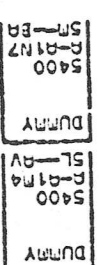
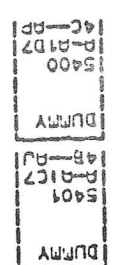
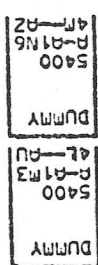
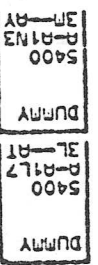
PAA P-11N2B02 PKA P-11N4B12
 PBA P-11N2B04 PLA P-11N2B05
 PCA P-11N2B07 RMA P-11N2B08
 PDA P-11N2B09 RMA P-11N2B10
 PEA P-11N2B12 RPA P-11N2B10
 PFA P-11N4B03 RPA P-11N4B03
 PGA P-11N4B04 RPA P-11N4B05
 PHA P-11N4E07 RPA P-11N4B08
 PJA P-11N4B09 RPA P-11N4B10



62-17-65 415480
 62-13-65 415480C

PRINT DISC SOLAR CELLS AND
 AMPLIFIERS
 DATE 05-18-65 RACH 1132
 LOG 112C FRAME 03
 P.O. No. 2201160
 IBM CORP. GPD BLK. RU
 000

22



02-17-65 415480
04-13-65 415480C
09-17-65 415486

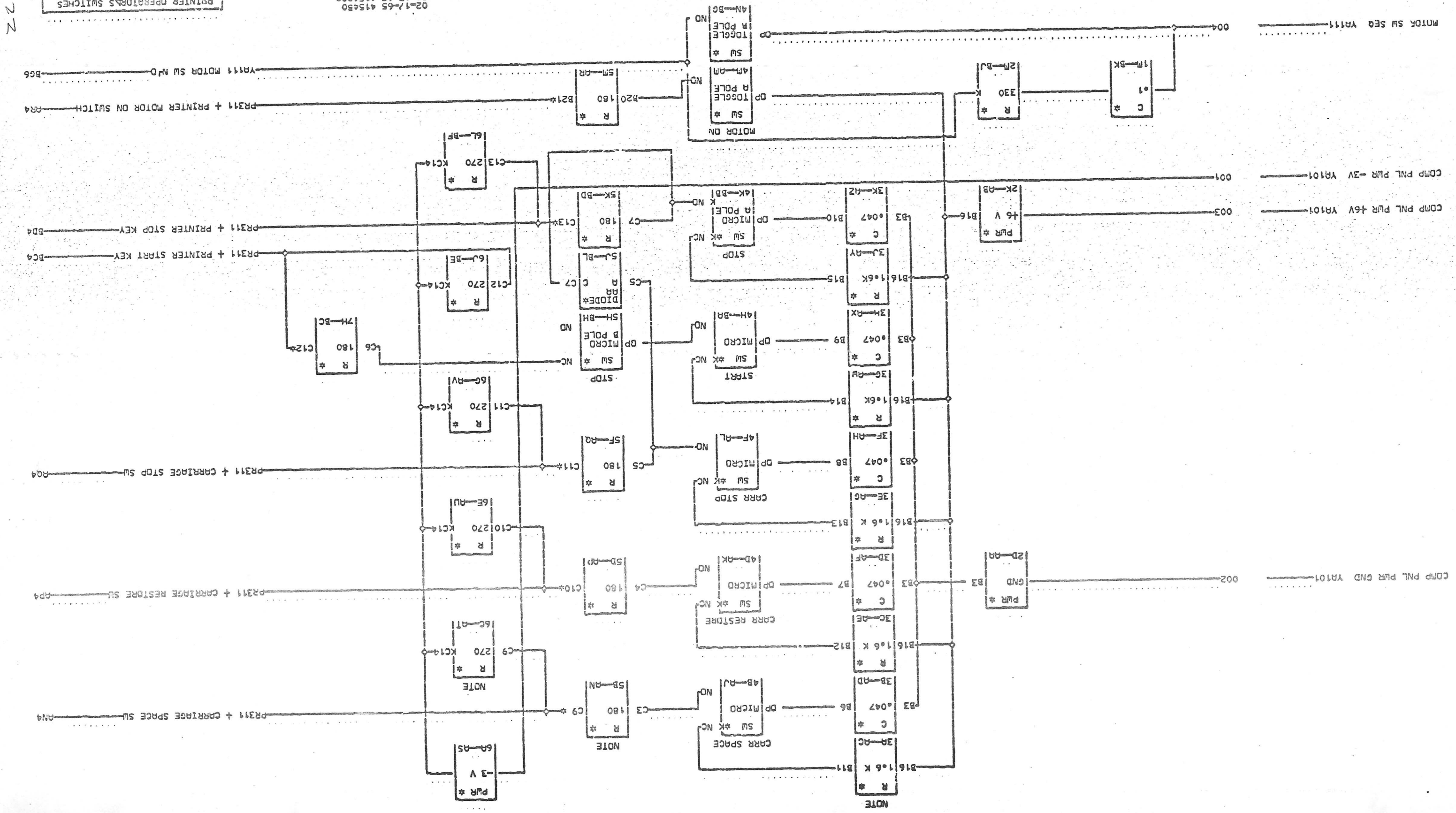
SOLAR CELL COMMON CONNECTIONS
DUMMY CARDS 1132
DATE 09-21-65 MACH. 1132
LOG 264C FRAME 03
P.N. 2201161
IBM CORP. GPD BLK. BB
000

NOTE SEE PAGE YA141
FOR CKT DIAGRAM AND
PAGE YA142 FOR TIMING CHART

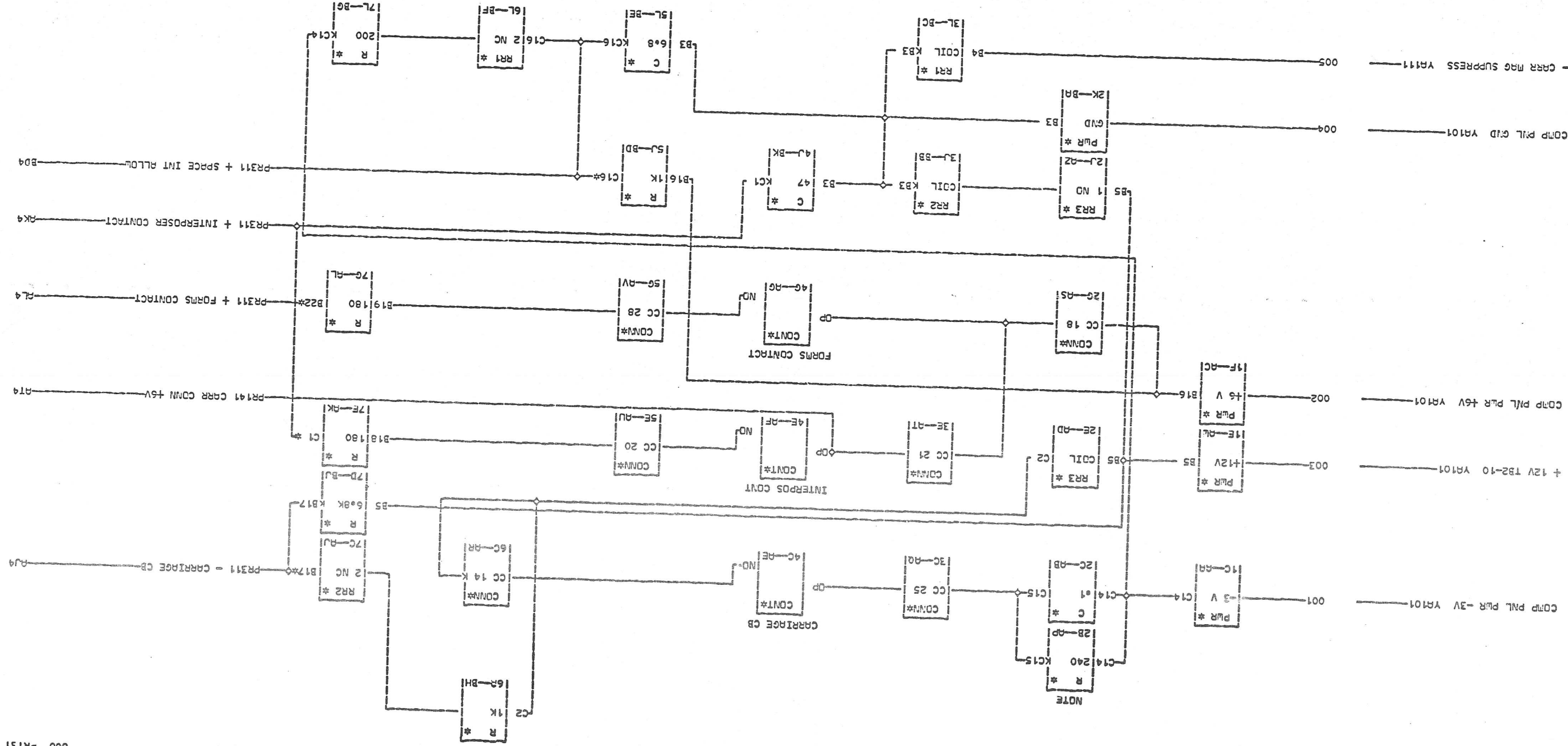
ANA P-11A2D05 03A-11B2D05 BDA P-11A2E03
APA P-11A2D06 03A-11B2D06
APA P-11A2D07 03A-11B2D07
AP1 P-11A2D09 03A-11B2D09
ACA P-11A2D02

IBM CORP. GPD B.L.K.
P.N. 2201162
LDB 314M FRAME
DATE 11-10-56 MACH: 1132
PRINTER OPERATORS SWITCHES
03
000

02-1/-65 415450
04-1/-65 415480
07-20-55 415482
10-21-55 415492
03-08-55 415754B
02-10-56 419621
11-18-56 419621B



2-2



COMP PNL PWR -3V YR101

+12V B2-10 YR101

COMP PNL PWR +5V YR101

COMP PNL GND YR101

- GARR MAG SUPPRESS YR111

NOTE SEE PAGE YR141
 FOR CKT DISPAR GND
 PAGE YR142 FOR TIMING CHART

R9 P-D12210
 R8 P-D12211
 R4 P-D12211
 R3 P-D12211
 R2 P-D12212
 R1 P-D12212
 R0 P-D12213

02-17-65 41549C
 04-13-65 415450C
 07-20-65 415482
 10-21-65 415492
 01-17-66 415758
 05-10-66 419621
 10-03-66 419621B
 11-18-66 419621B
 12-15-66 419634

PRINTER CARRIAGE CONTACTS
 DATE 02-17-67 WCH: 1132
 LOG 350D FRAME
 P/N: 2201163
 IBM CORP. GPD BLK.
 000

2-2

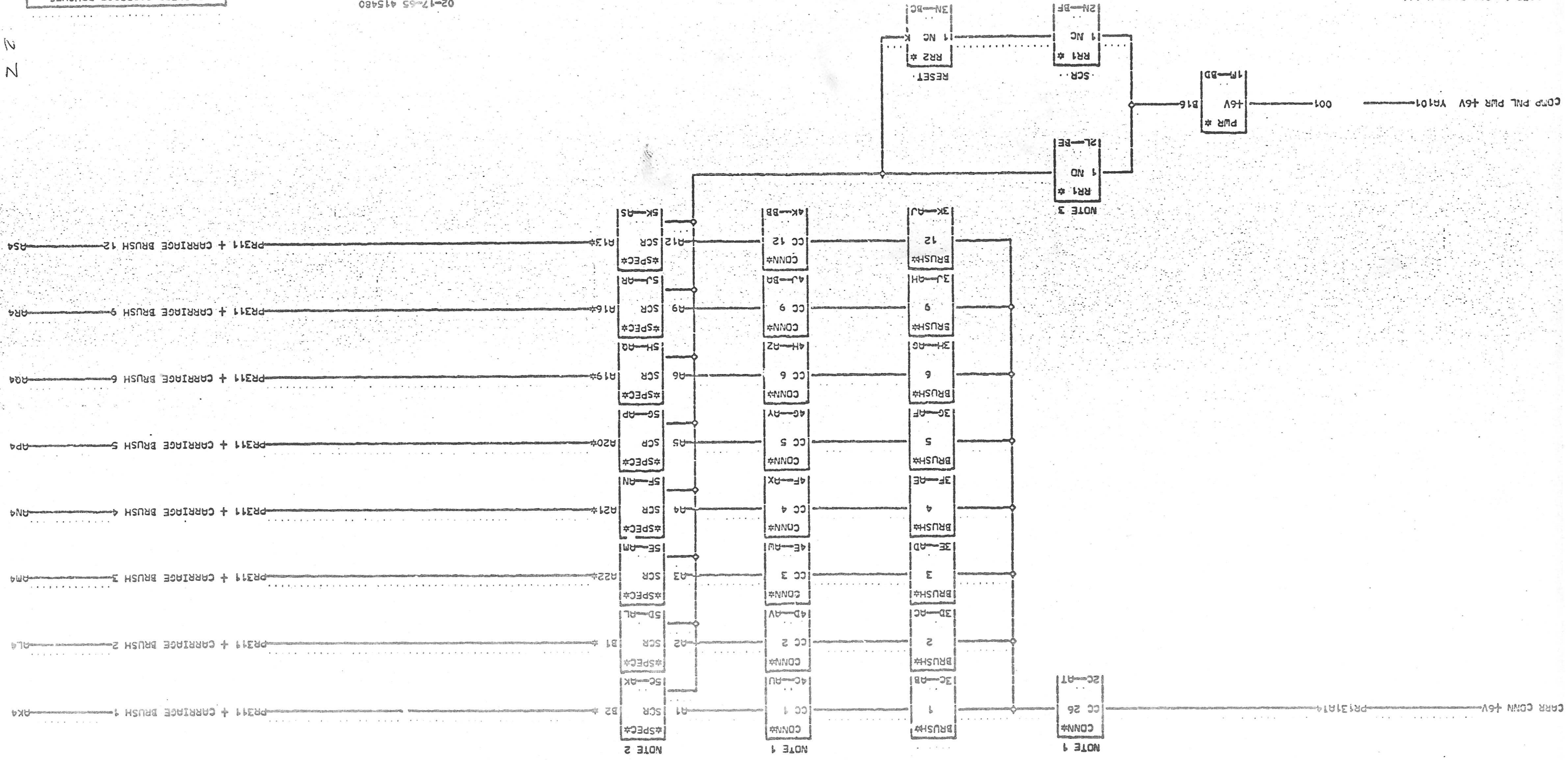
NOTE 1 SEE PAGE YA141
 FOR PICTURE OF CONN
 P NOTE 2 SEE PAGE YA141
 R FOR CKT DIAGRAM RND
 I PAGE YA142 FOR TITING CHART
 4 NOTE 3 USED TO RESET
 1 SCR LATCHES

FK4 P-11A2B04 03A-11B2B09
 AL4 P-11A2B05 03A-11B2B10
 AM4 P-11A2B07 03A-11B2B12
 AS4 P-11A2B07 03A-11B2B13
 AN4 P-11A2B08 03A-11B2B13
 AP4 P-11A2B09 03A-11B2B13

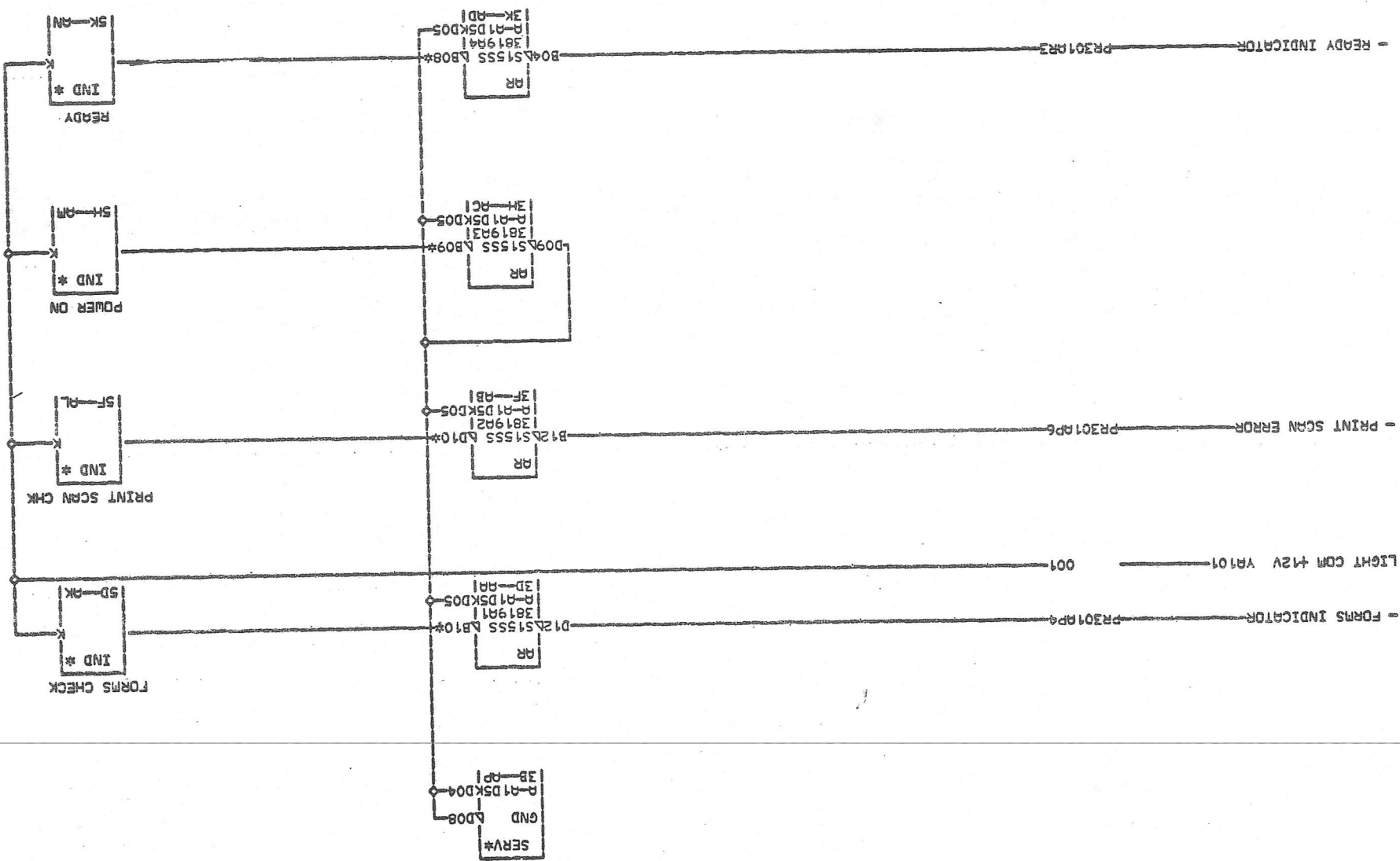
02-17-55 4154B0
 04-13-55 4154B0C
 07-20-55 4154B2
 10-21-55 4154B2
 03-10-56 419621
 11-18-56 419621B

PRINTER CARRIAGE BRUSHES
 DATE 11-10-56 MACH# 1132
 LDC 314M FRAME C3
 P.No. 2201164
 IBM CORP. CPD BLK. NO. 000

2 Z



RA4 P-11RA802
RA4 P-11RA803
RA4 P-11RA804
RA4 P-11RA805



02-17-65 415480
03-04-65 415480
04-13-65 415480
07-20-65 415482
08-24-68 131289

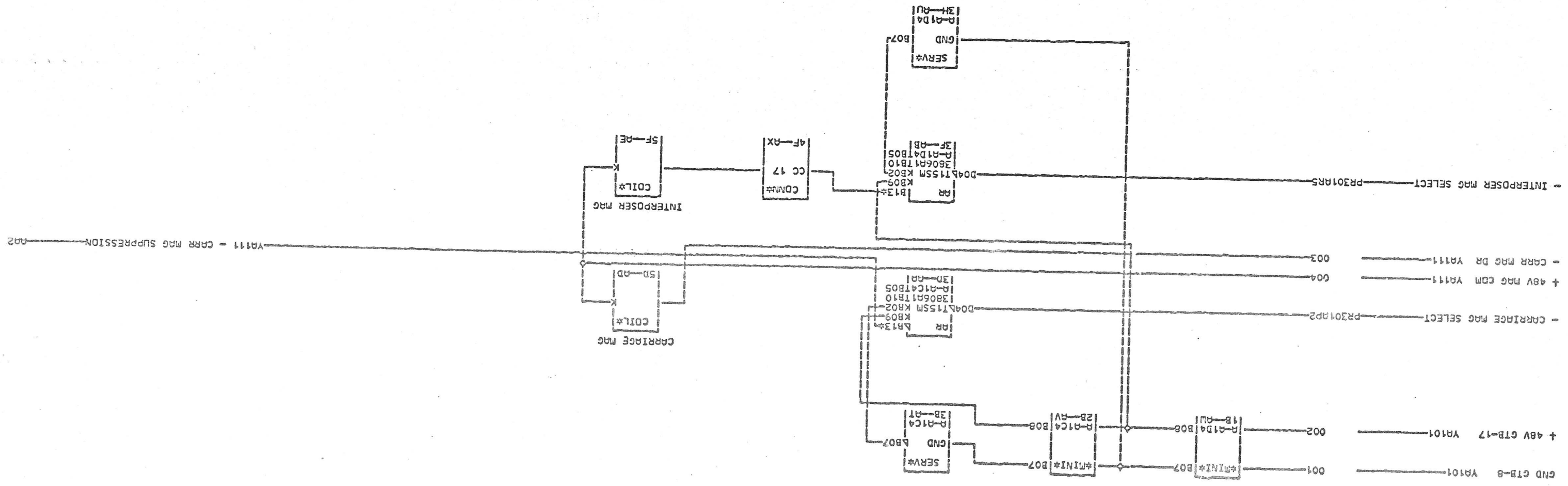
PRINTER INDICATORS AND DRIVERS
DATE 08-21-68 MACH. 1132
LOG 1271 FRAME
P.No. 220165
IBM CORP. CPD BLK.
03 000

RR2 R-A1A4B12
RR2 R-A1A4B13

C2-17-65 415480
C2-04-65 415480B
04-13-65 415480C
07-20-65 415482
10-21-65 415492

PRINTER CARTRIDGE MAGNETS AND
DRIVERS
DATE 10-21-65 TACH# 1132
LDC 294J FRAMF 03
P.N# 2201166
IBM CORP. GPD PLK. 000
AY

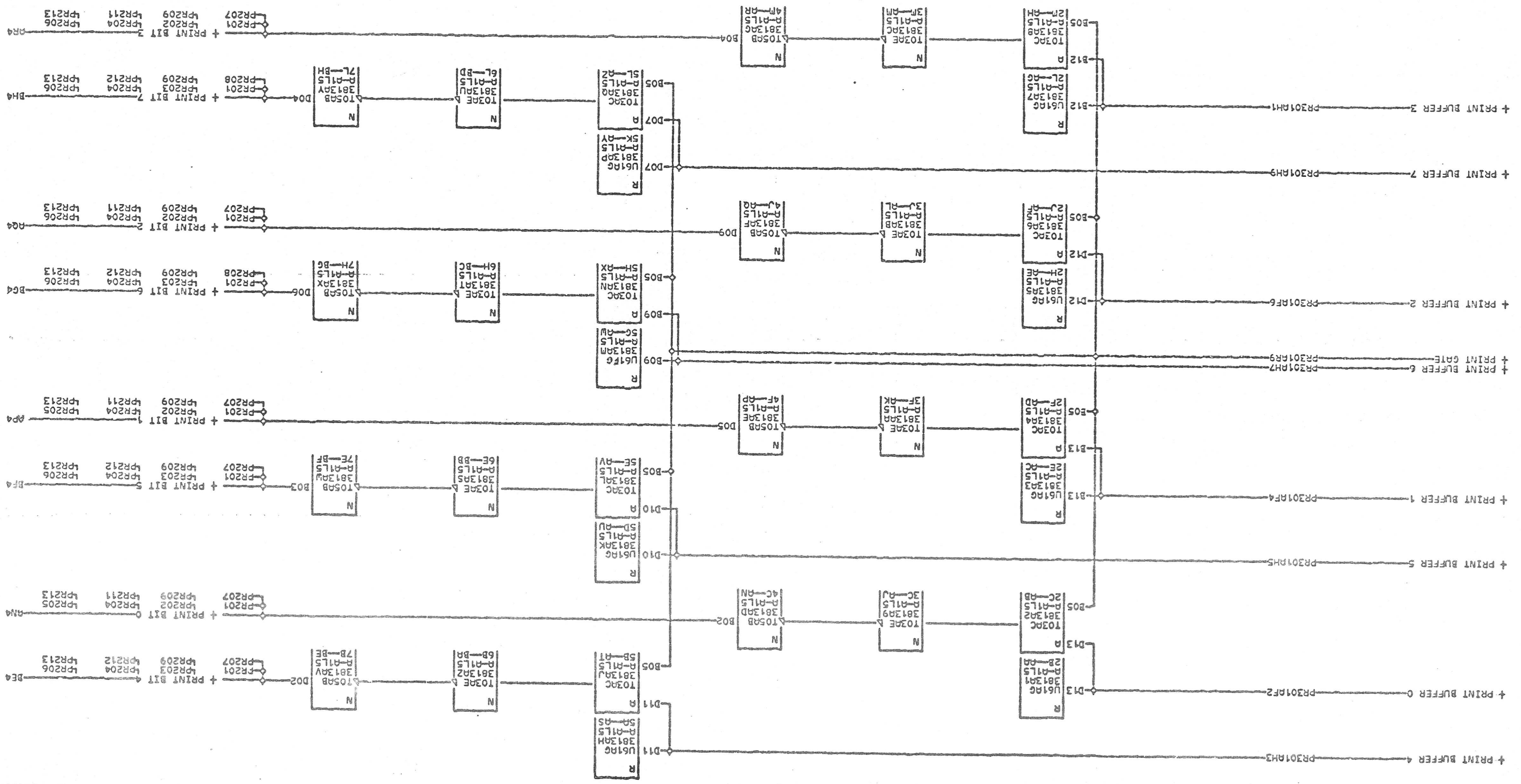
22

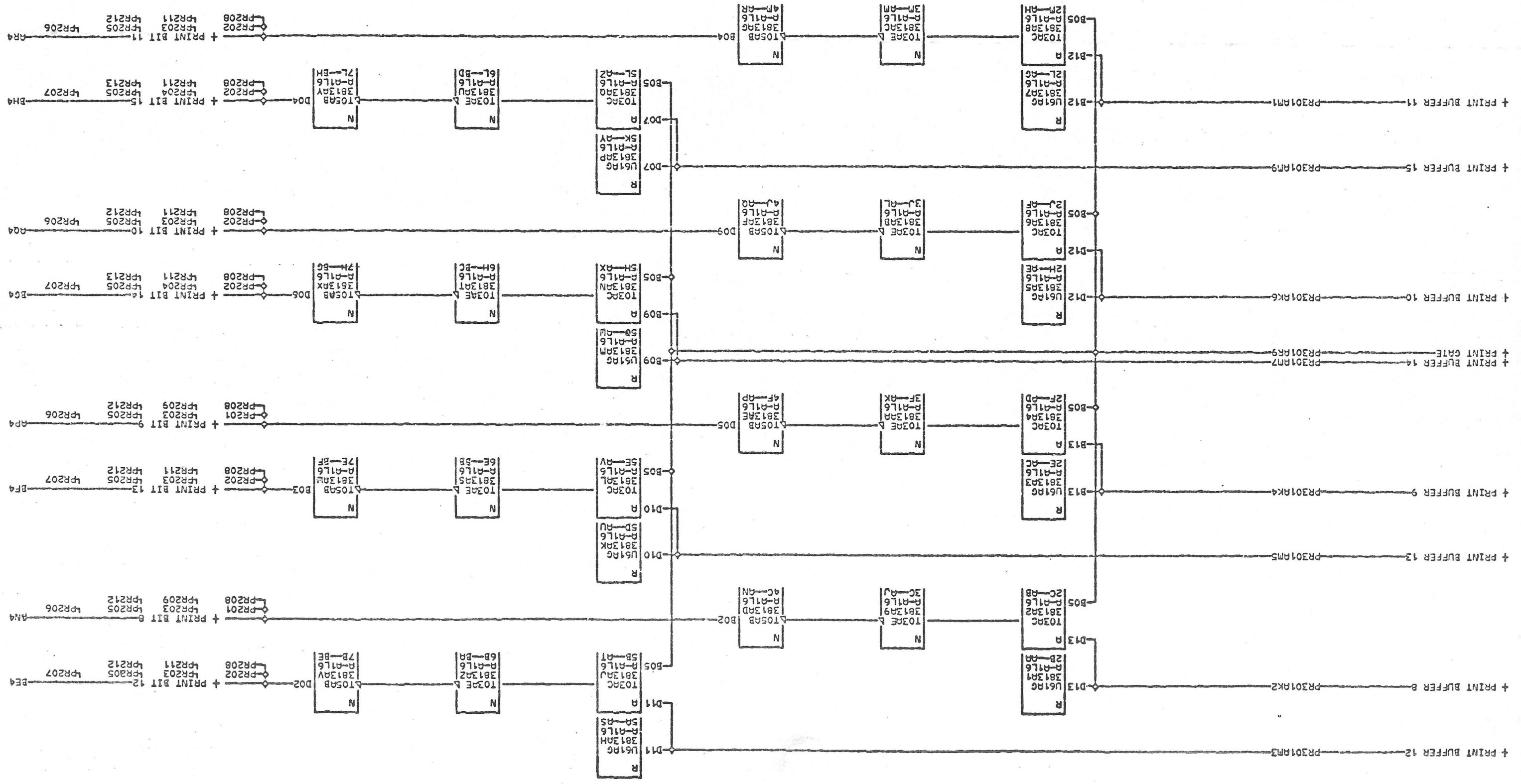


IBM CPPP GPD BLK BJ
PAno 2201167
LDG 201F FRAME 03
DATE 07-20-65 PCHM 1132
PRINTER DATA POWERING
BITS 0 - 7

02-17-65 415480
04-13-65 415480C
07-20-65 415482

22





02-17-65 415480
04-13-65 415480C
07-20-65 415482

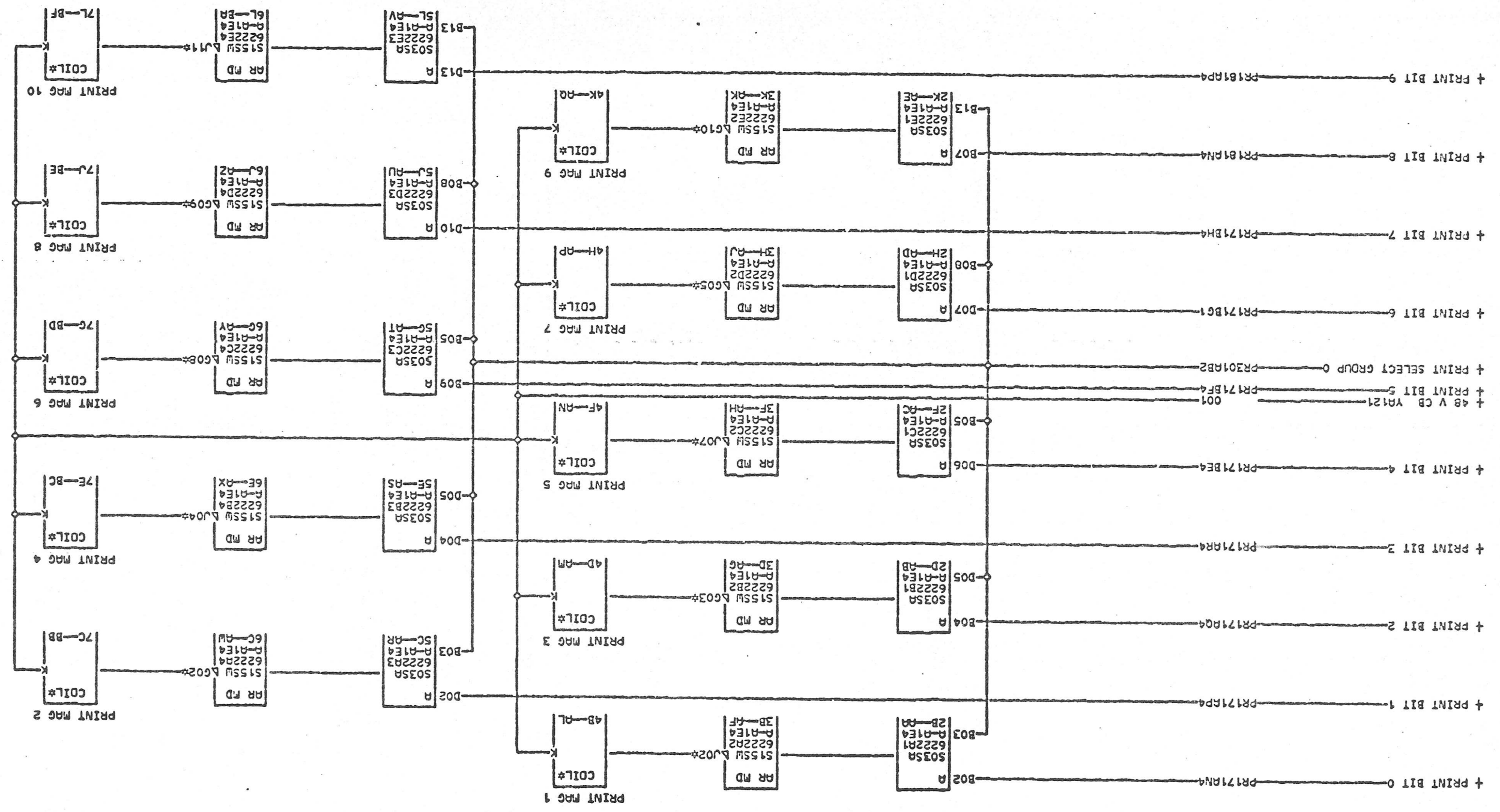
PRINTER DATA POWERING
BITS 8 - 15
DATE 07-20-65 PCH: 1132
LDC 201F FRAME 03
P#N# 2201168
IBM CORP. CPD BLK. BJ
000

22

PFA P-115E02 BA4 P-115B13
RGA P-115B04
RHA P-115B07
RJA P-115B09
RKA P-115B12
RLA P-115B03
RMA P-115B05
RPA P-115B08
RQA P-115B10

02-17-65 415480
04-13-65 415480C
07-20-65 415482

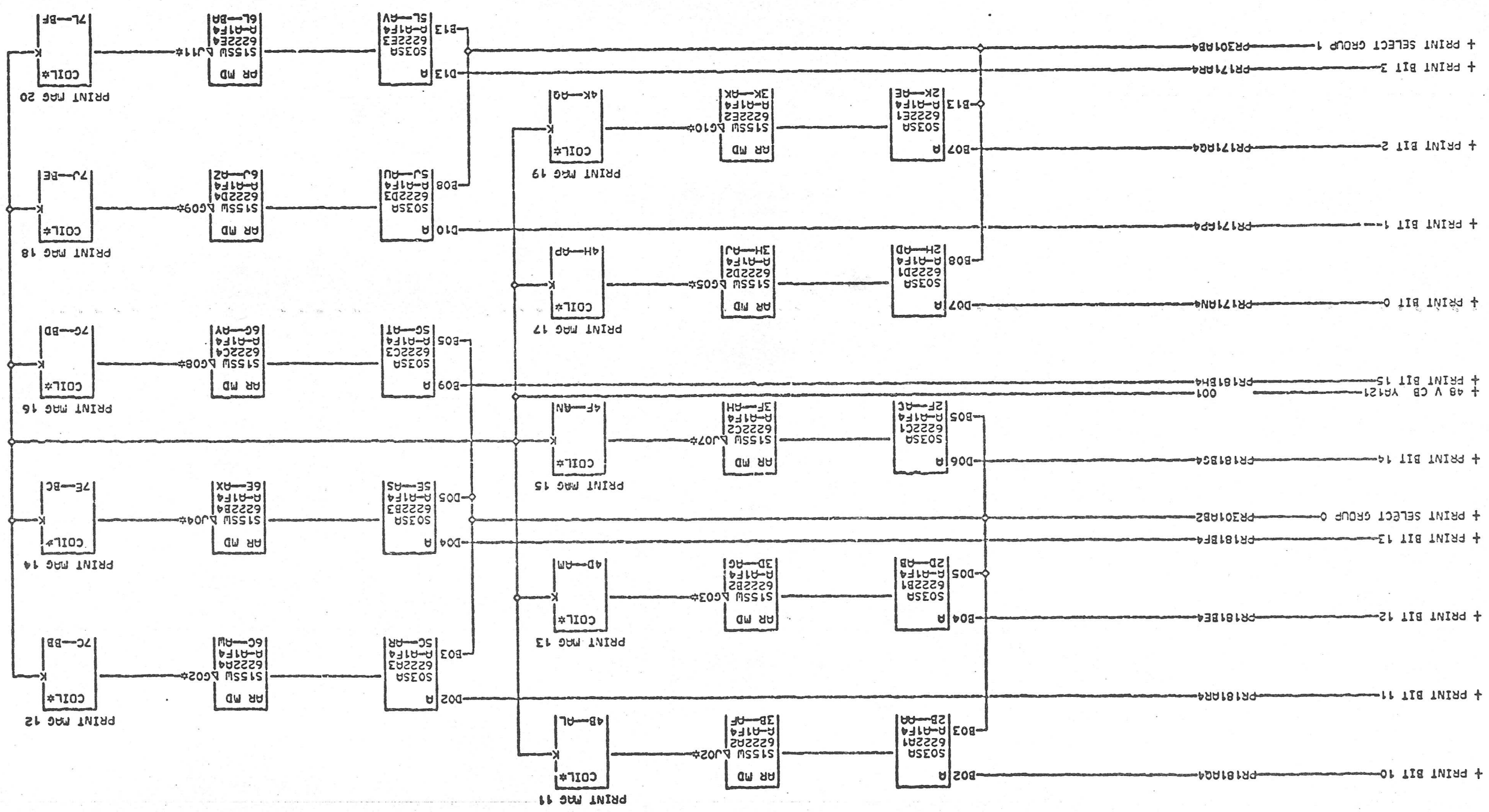
PRINT MAGNETS AND DRIVERS
1-10
DATE 07-20-65 RCH: 113Z
LDG 201F FRAME 03
P.N. 2201169
IBM CORP. GPD BLK. BC
000



RFA R-01R5D02 BRA R-01R5D13
RFA R-01R5D05
RFA R-01R5D07
RFA R-01R5D10
RFA R-01R5D12
RFA R-01R5D04
RFA R-01R5D06
RFA R-01R5D09
RFA R-01R5D11
RFA R-01R5D14

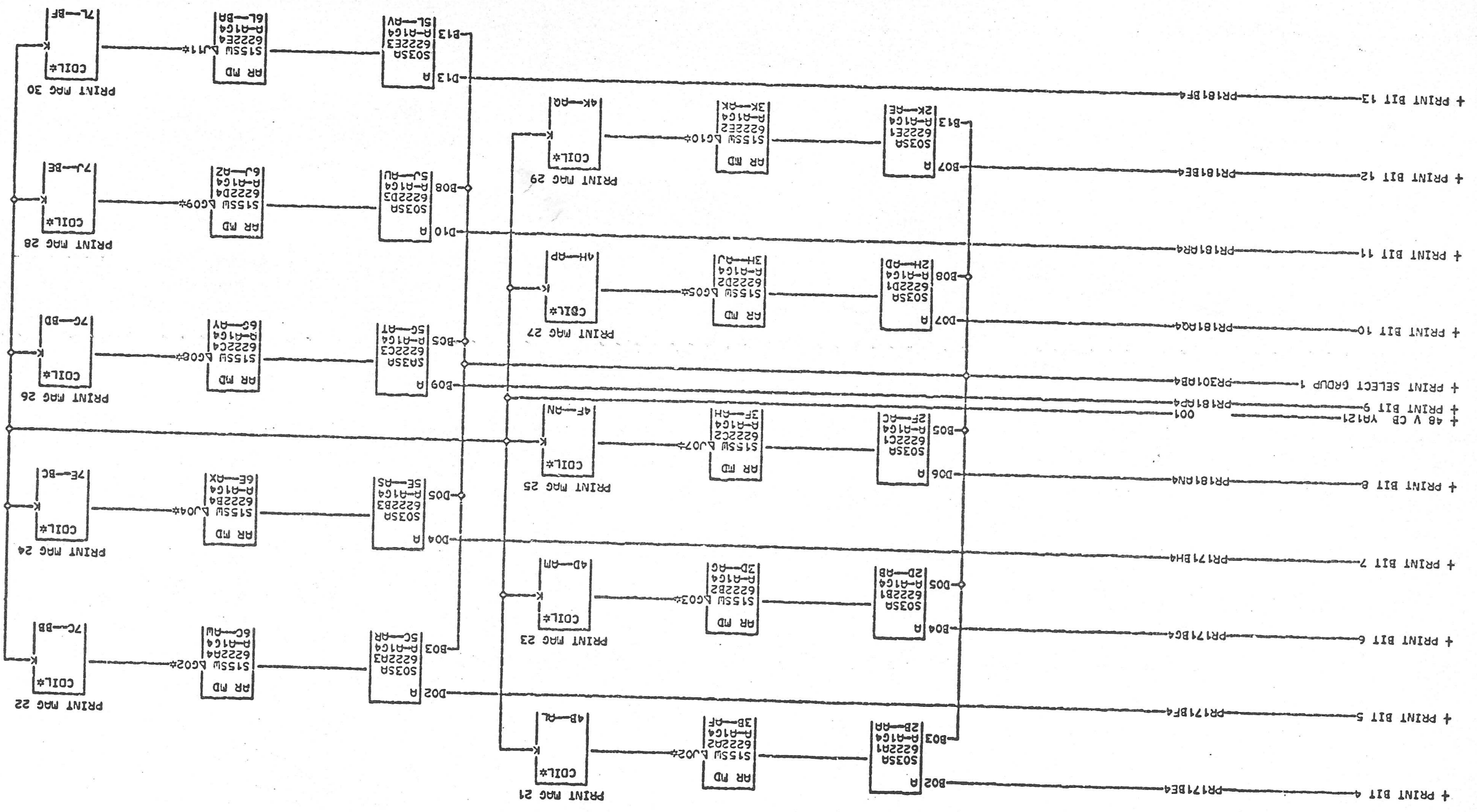
PRINT MAGNETS AND DRIVERS
11-20
DATE 07-20-65 WCH: 113Z
LOG 201F FRAME 03
P/N: 2201170 BC
IBM CORP. GPD BLK.
000

02-17-65 415480
04-13-65 415480C
07-20-65 415482



22

000 MONRB
 RFA R-1B5E2 BAA R-1B5B13
 RFA R-1B5B4
 RFA R-1B5B7
 RFA R-1B5B9
 RFA R-1B5B12
 RFA R-1B5B3
 RFA R-1B5B5
 RFA R-1B5B8
 RFA R-1B5B10

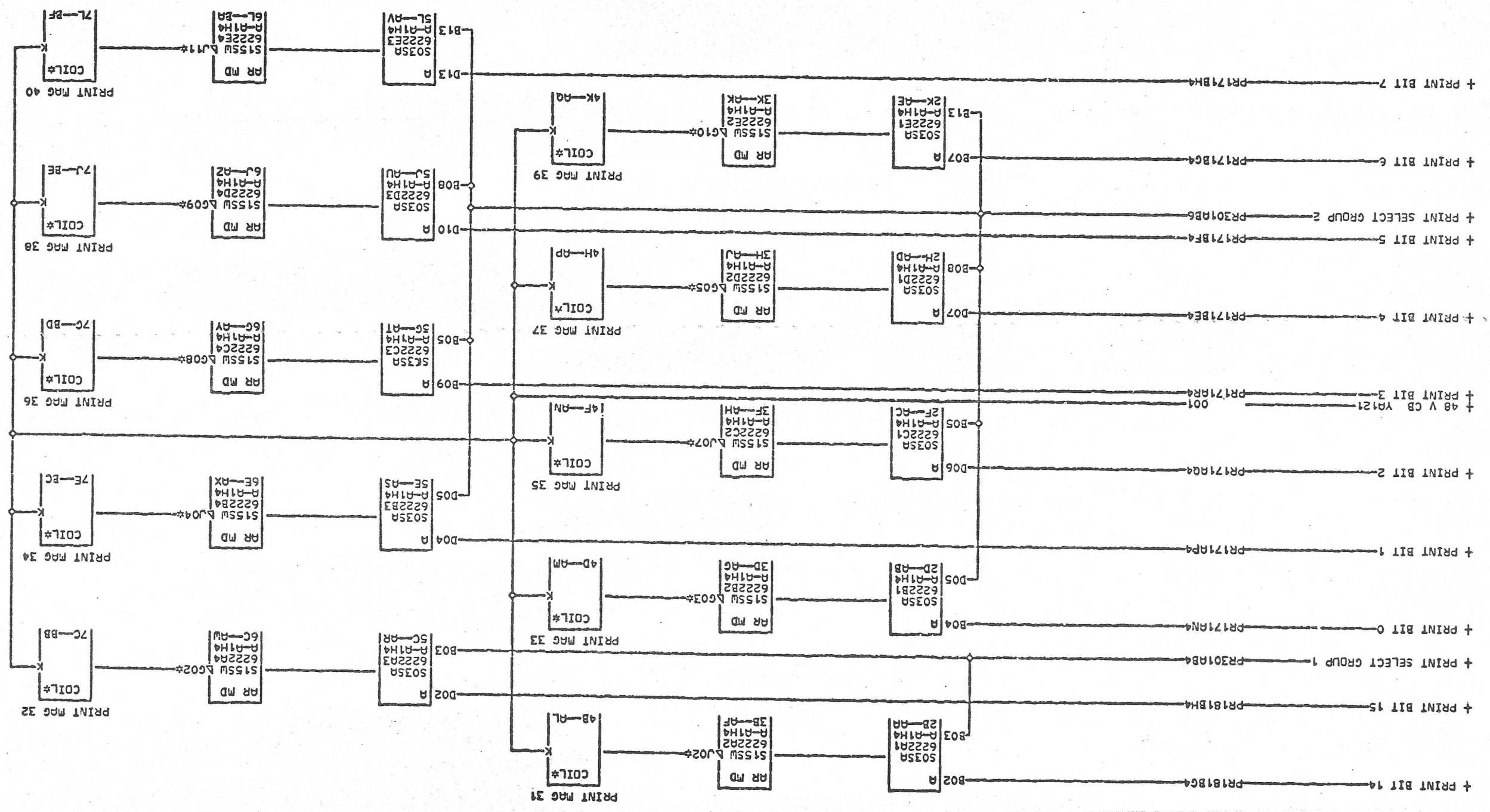


02-17-65 415480
 04-13-65 415480C
 07-20-65 415482

PRINT MAGNETS AND DRIVERS
 21-30
 DATE 07-20-65 FACH: 1132
 LDC 201F FRAME 03
 P/N 2201171
 IBM CORP. CPD BLK
 000 MONRB

2 2

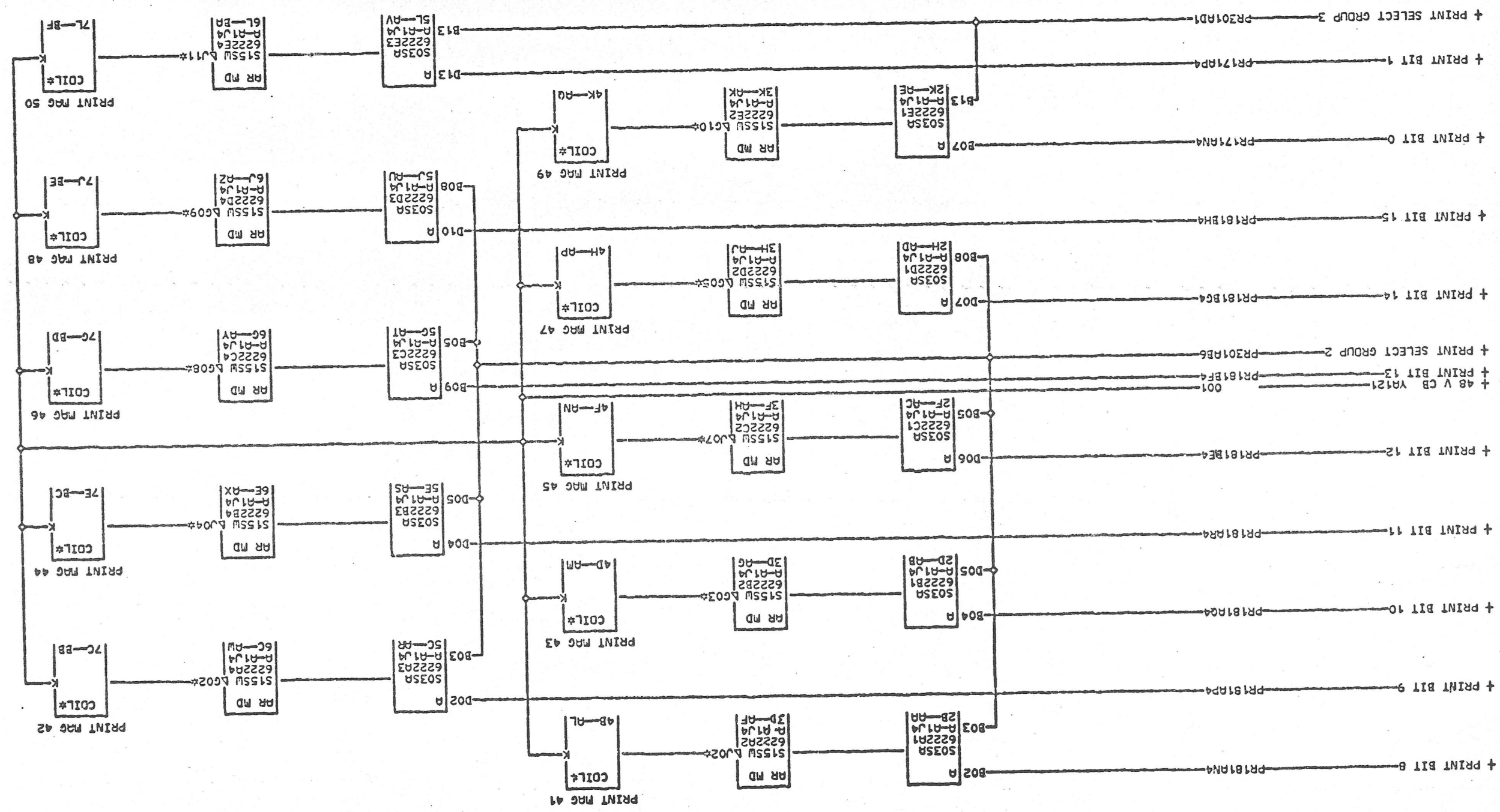
R14 P-115D02 B44 P-115D13
R14 P-115D05
R14 P-115D07
R14 P-115D10
R14 P-115D12
R14 P-115D04
R14 P-115D06
R14 P-115D09
R14 P-115D11



02-17-65 415480
04-13-65 415480C
07-20-65 415482

PRINT MAGNETS AND DRIVERS
31-40
DATE 07-20-65 RCH. 1132
LDC 201F FRAFE 03
P.N. 2201172
IBF CORP. GPD BLK.
000 BOARD

RFA P-11REB2 BR4 R-11RB13
RFA P-11REB4
RFA P-11REB7
RFA P-11REB9
RFA P-11REB12
RFA P-11REB15
RFA P-11REB18
RFA P-11REB21
RFA P-11REB24
RFA P-11REB27
RFA P-11REB30
RFA P-11REB33
RFA P-11REB36
RFA P-11REB39
RFA P-11REB42
RFA P-11REB45
RFA P-11REB48
RFA P-11REB51
RFA P-11REB54
RFA P-11REB57
RFA P-11REB60
RFA P-11REB63
RFA P-11REB66
RFA P-11REB69
RFA P-11REB72
RFA P-11REB75
RFA P-11REB78
RFA P-11REB81
RFA P-11REB84
RFA P-11REB87
RFA P-11REB90
RFA P-11REB93
RFA P-11REB96
RFA P-11REB99
RFA P-11REB102
RFA P-11REB105
RFA P-11REB108
RFA P-11REB111
RFA P-11REB114
RFA P-11REB117
RFA P-11REB120
RFA P-11REB123
RFA P-11REB126
RFA P-11REB129
RFA P-11REB132
RFA P-11REB135
RFA P-11REB138
RFA P-11REB141
RFA P-11REB144
RFA P-11REB147
RFA P-11REB150
RFA P-11REB153
RFA P-11REB156
RFA P-11REB159
RFA P-11REB162
RFA P-11REB165
RFA P-11REB168
RFA P-11REB171
RFA P-11REB174
RFA P-11REB177
RFA P-11REB180
RFA P-11REB183
RFA P-11REB186
RFA P-11REB189
RFA P-11REB192
RFA P-11REB195
RFA P-11REB198
RFA P-11REB201
RFA P-11REB204
RFA P-11REB207
RFA P-11REB210
RFA P-11REB213
RFA P-11REB216
RFA P-11REB219
RFA P-11REB222
RFA P-11REB225
RFA P-11REB228
RFA P-11REB231
RFA P-11REB234
RFA P-11REB237
RFA P-11REB240
RFA P-11REB243
RFA P-11REB246
RFA P-11REB249
RFA P-11REB252
RFA P-11REB255
RFA P-11REB258
RFA P-11REB261
RFA P-11REB264
RFA P-11REB267
RFA P-11REB270
RFA P-11REB273
RFA P-11REB276
RFA P-11REB279
RFA P-11REB282
RFA P-11REB285
RFA P-11REB288
RFA P-11REB291
RFA P-11REB294
RFA P-11REB297
RFA P-11REB300
RFA P-11REB303
RFA P-11REB306
RFA P-11REB309
RFA P-11REB312
RFA P-11REB315
RFA P-11REB318
RFA P-11REB321
RFA P-11REB324
RFA P-11REB327
RFA P-11REB330
RFA P-11REB333
RFA P-11REB336
RFA P-11REB339
RFA P-11REB342
RFA P-11REB345
RFA P-11REB348
RFA P-11REB351
RFA P-11REB354
RFA P-11REB357
RFA P-11REB360
RFA P-11REB363
RFA P-11REB366
RFA P-11REB369
RFA P-11REB372
RFA P-11REB375
RFA P-11REB378
RFA P-11REB381
RFA P-11REB384
RFA P-11REB387
RFA P-11REB390
RFA P-11REB393
RFA P-11REB396
RFA P-11REB399
RFA P-11REB402
RFA P-11REB405
RFA P-11REB408
RFA P-11REB411
RFA P-11REB414
RFA P-11REB417
RFA P-11REB420
RFA P-11REB423
RFA P-11REB426
RFA P-11REB429
RFA P-11REB432
RFA P-11REB435
RFA P-11REB438
RFA P-11REB441
RFA P-11REB444
RFA P-11REB447
RFA P-11REB450
RFA P-11REB453
RFA P-11REB456
RFA P-11REB459
RFA P-11REB462
RFA P-11REB465
RFA P-11REB468
RFA P-11REB471
RFA P-11REB474
RFA P-11REB477
RFA P-11REB480
RFA P-11REB483
RFA P-11REB486
RFA P-11REB489
RFA P-11REB492
RFA P-11REB495
RFA P-11REB498
RFA P-11REB501
RFA P-11REB504
RFA P-11REB507
RFA P-11REB510
RFA P-11REB513
RFA P-11REB516
RFA P-11REB519
RFA P-11REB522
RFA P-11REB525
RFA P-11REB528
RFA P-11REB531
RFA P-11REB534
RFA P-11REB537
RFA P-11REB540
RFA P-11REB543
RFA P-11REB546
RFA P-11REB549
RFA P-11REB552
RFA P-11REB555
RFA P-11REB558
RFA P-11REB561
RFA P-11REB564
RFA P-11REB567
RFA P-11REB570
RFA P-11REB573
RFA P-11REB576
RFA P-11REB579
RFA P-11REB582
RFA P-11REB585
RFA P-11REB588
RFA P-11REB591
RFA P-11REB594
RFA P-11REB597
RFA P-11REB600
RFA P-11REB603
RFA P-11REB606
RFA P-11REB609
RFA P-11REB612
RFA P-11REB615
RFA P-11REB618
RFA P-11REB621
RFA P-11REB624
RFA P-11REB627
RFA P-11REB630
RFA P-11REB633
RFA P-11REB636
RFA P-11REB639
RFA P-11REB642
RFA P-11REB645
RFA P-11REB648
RFA P-11REB651
RFA P-11REB654
RFA P-11REB657
RFA P-11REB660
RFA P-11REB663
RFA P-11REB666
RFA P-11REB669
RFA P-11REB672
RFA P-11REB675
RFA P-11REB678
RFA P-11REB681
RFA P-11REB684
RFA P-11REB687
RFA P-11REB690
RFA P-11REB693
RFA P-11REB696
RFA P-11REB699
RFA P-11REB702
RFA P-11REB705
RFA P-11REB708
RFA P-11REB711
RFA P-11REB714
RFA P-11REB717
RFA P-11REB720
RFA P-11REB723
RFA P-11REB726
RFA P-11REB729
RFA P-11REB732
RFA P-11REB735
RFA P-11REB738
RFA P-11REB741
RFA P-11REB744
RFA P-11REB747
RFA P-11REB750
RFA P-11REB753
RFA P-11REB756
RFA P-11REB759
RFA P-11REB762
RFA P-11REB765
RFA P-11REB768
RFA P-11REB771
RFA P-11REB774
RFA P-11REB777
RFA P-11REB780
RFA P-11REB783
RFA P-11REB786
RFA P-11REB789
RFA P-11REB792
RFA P-11REB795
RFA P-11REB798
RFA P-11REB801
RFA P-11REB804
RFA P-11REB807
RFA P-11REB810
RFA P-11REB813
RFA P-11REB816
RFA P-11REB819
RFA P-11REB822
RFA P-11REB825
RFA P-11REB828
RFA P-11REB831
RFA P-11REB834
RFA P-11REB837
RFA P-11REB840
RFA P-11REB843
RFA P-11REB846
RFA P-11REB849
RFA P-11REB852
RFA P-11REB855
RFA P-11REB858
RFA P-11REB861
RFA P-11REB864
RFA P-11REB867
RFA P-11REB870
RFA P-11REB873
RFA P-11REB876
RFA P-11REB879
RFA P-11REB882
RFA P-11REB885
RFA P-11REB888
RFA P-11REB891
RFA P-11REB894
RFA P-11REB897
RFA P-11REB900
RFA P-11REB903
RFA P-11REB906
RFA P-11REB909
RFA P-11REB912
RFA P-11REB915
RFA P-11REB918
RFA P-11REB921
RFA P-11REB924
RFA P-11REB927
RFA P-11REB930
RFA P-11REB933
RFA P-11REB936
RFA P-11REB939
RFA P-11REB942
RFA P-11REB945
RFA P-11REB948
RFA P-11REB951
RFA P-11REB954
RFA P-11REB957
RFA P-11REB960
RFA P-11REB963
RFA P-11REB966
RFA P-11REB969
RFA P-11REB972
RFA P-11REB975
RFA P-11REB978
RFA P-11REB981
RFA P-11REB984
RFA P-11REB987
RFA P-11REB990
RFA P-11REB993
RFA P-11REB996
RFA P-11REB999



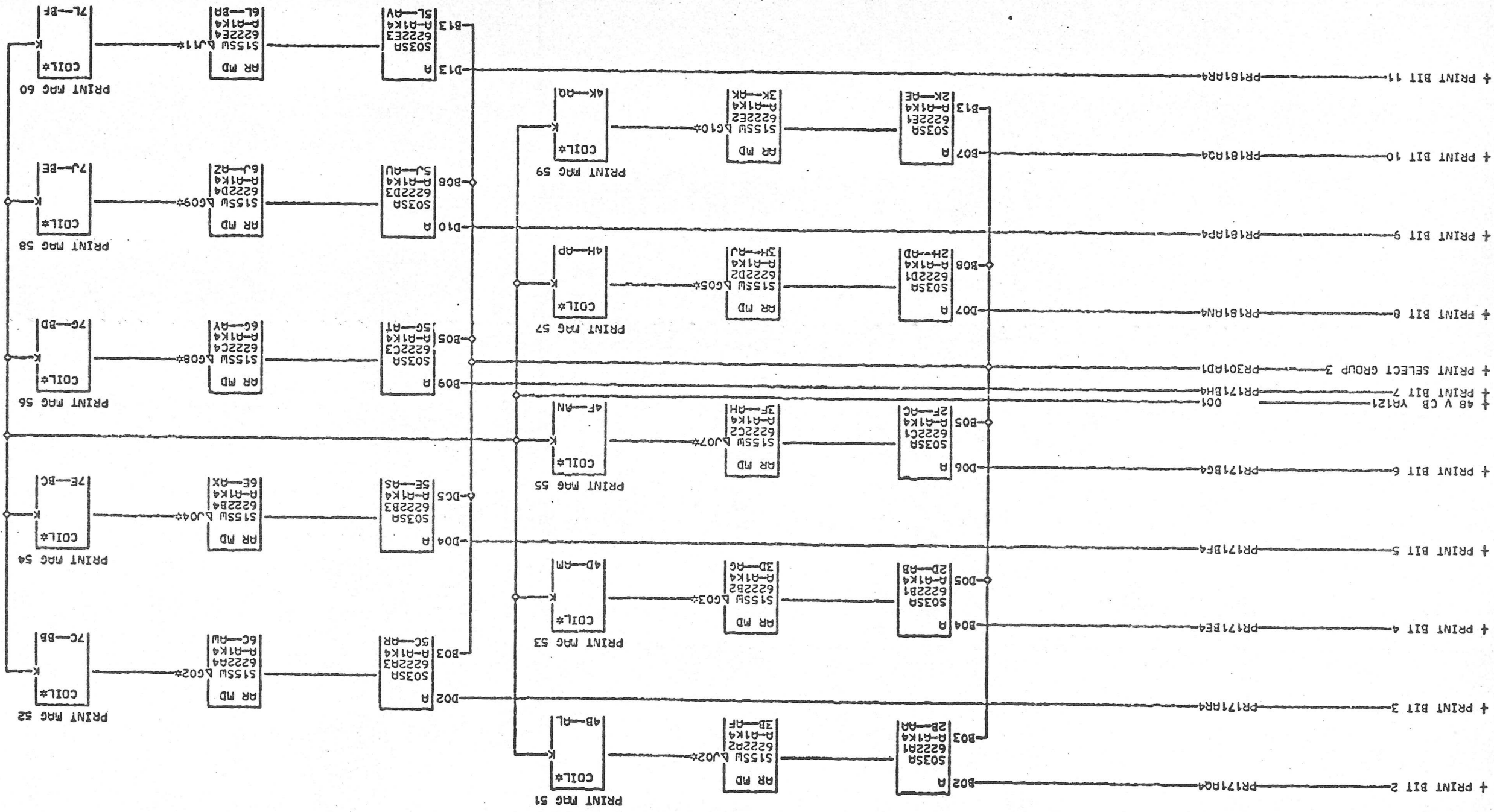
02-17-65 4154B0
04-13-65 4154B0C
07-20-65 4154B2

PRINT MAGNETS AND DRIVERS
41-50
DATE 07-20-65 RCHS 1132
LDC 201F FRAME 03
P.N. 2201173
IBM CORP. CPD BLK. BC
000 UNWRD

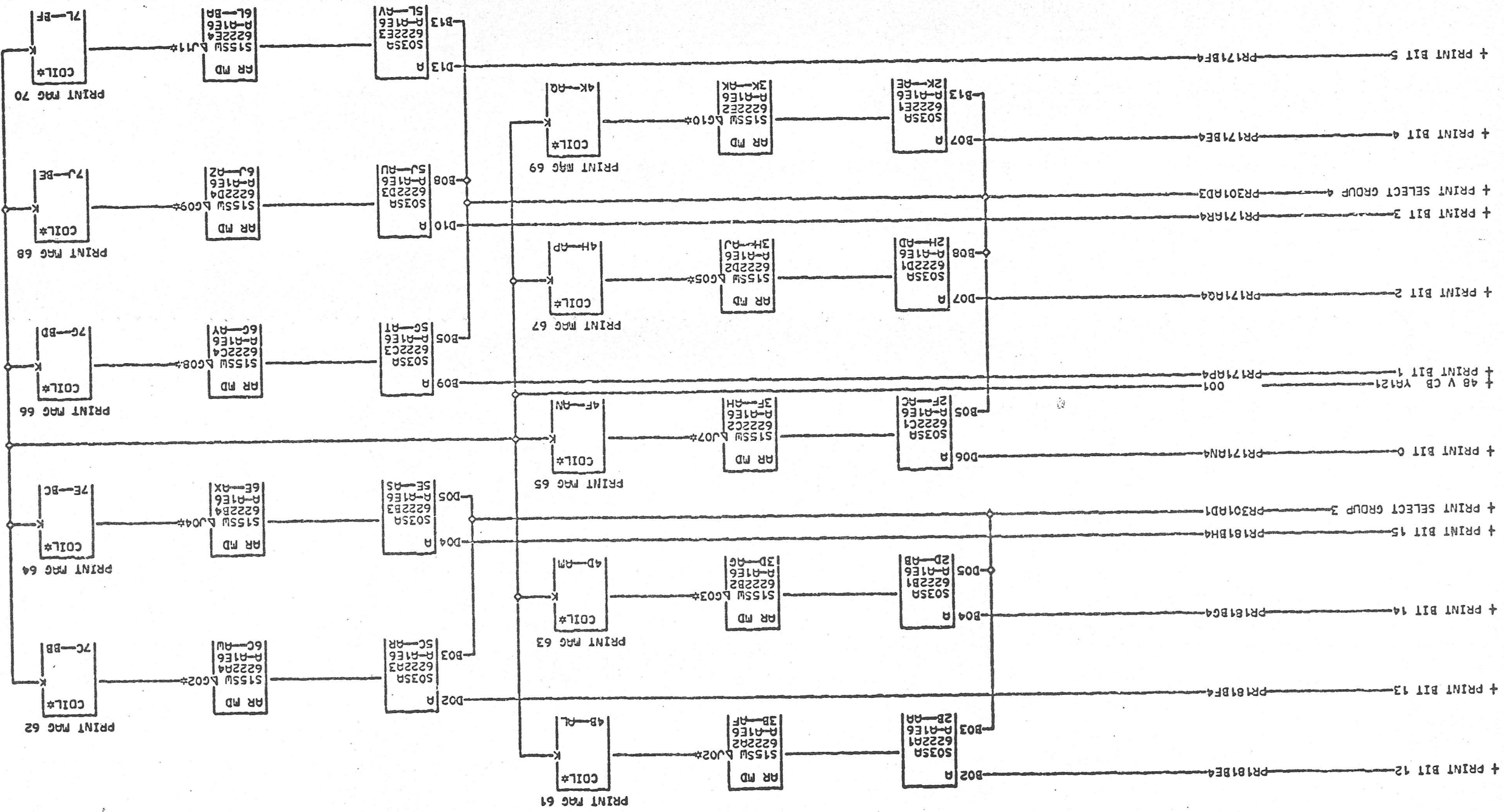
RFA R-D16D02 BA4 R-A16D13
RFA R-D16D05
RFA R-D16D07
RFA R-D16D10
RFA R-D16D12
RFA R-D16D04
RFA R-D16D06
RFA R-D16D09
RFA R-D16D11

02-17-65 415480
04-13-65 415480C
07-20-65 415482

PRINT MAGNETS AND DRIVERS
51-60
DATE 07-20-65 PCH# 1132
LDC 201F FRAME 03
Pch# 220117A
IBM CORP. CPD BLK#
000 60000



PFA R-11B6B02 BRA R-11B6B13
RCA R-11B6B04
RHA R-11B6B07
RJA R-11B6B09
RKA R-11B6B12
RLA R-11B6B03
RMA R-11B6B05
RPA R-11B6B08
RZA R-11B6B10



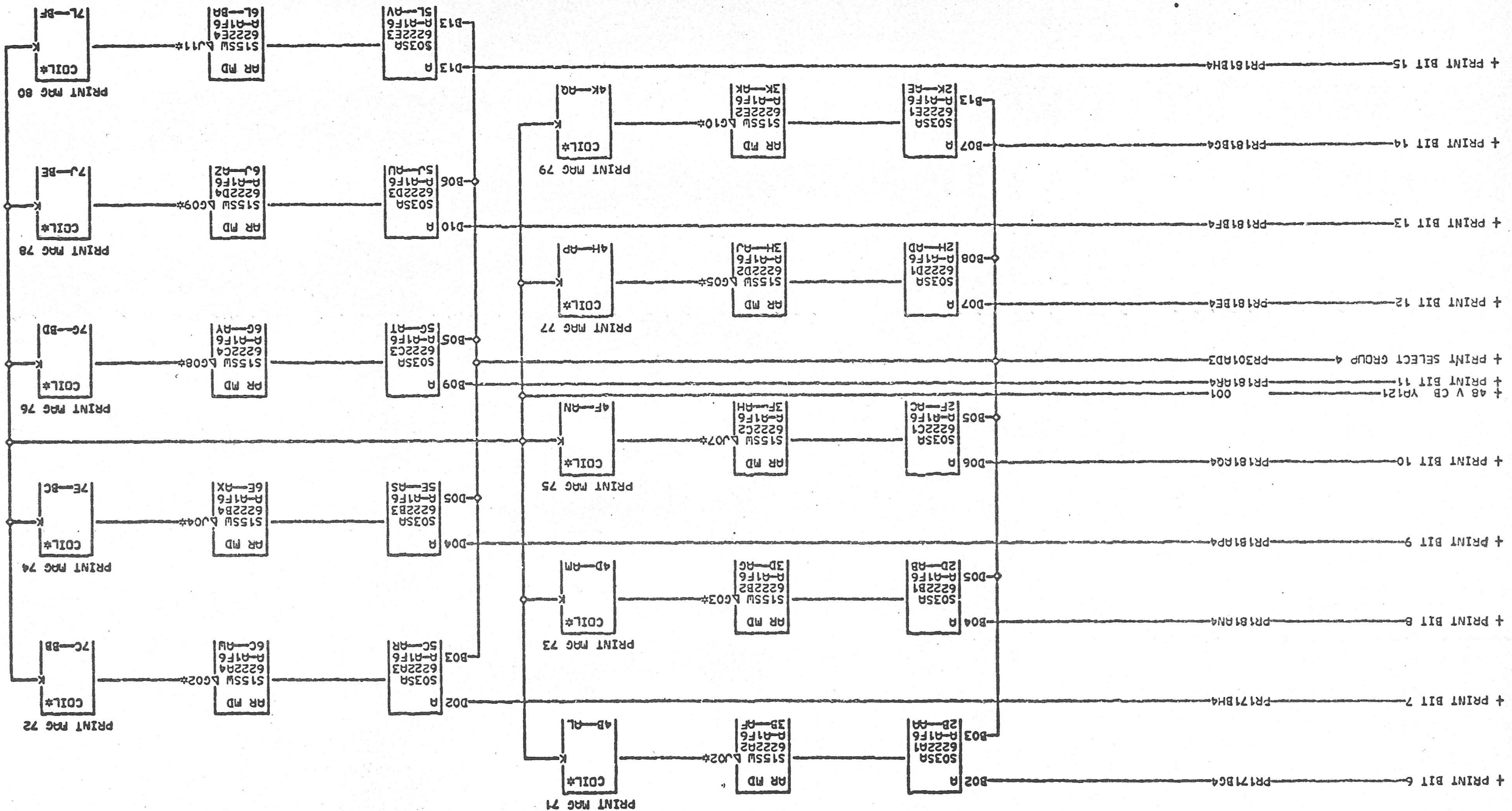
02-17-65 415480
04-13-65 415480C
07-20-65 415482

PRINT MAGNETS AND DRIVERS
61-70
DATE 07-20-65 PCH# 1132
LOG 201F FRAME 03
P#N# 2201175
IBM CORP. GPD BLK# 000

RF4 P-11B6D02 BA4 R-11B6D13
RGA P-11B6D05
RGA P-11B6D03
RGA P-11B6D10
RKA P-11B6D12
RKA P-11B6D04
RKA P-11B6D06
RKA P-11B6D09
RZA P-11B6D11

02-17-65 415480
04-13-65 415480C
07-20-65 415482

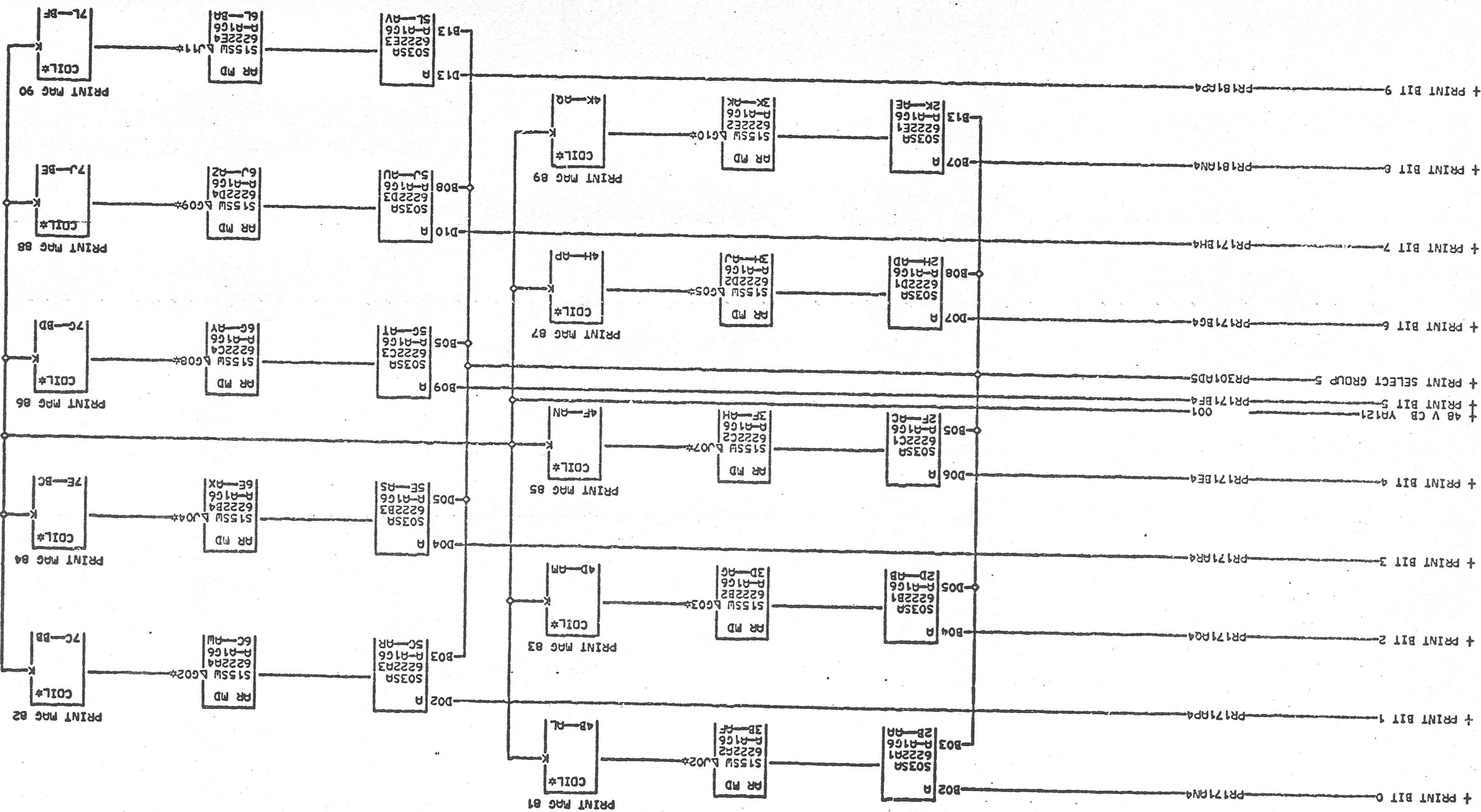
PRINT MAGNETS AND DRIVERS
71-80
DATE 07-20-65 PCH# 1132
LOG 201F FRAME 03
P#N# 2201176
IBM CORP. CPD BLK# 3C
000



RFA R-112B02 BR4 R-112B13
RGA R-112B04
RHA R-112B07
RJA R-112B09
RKA R-112B12
RLA R-112B03
RLA R-112B05
RLA R-112B08
RLA R-112B10

02-17-65 415480
04-13-65 415480C
07-20-65 415482

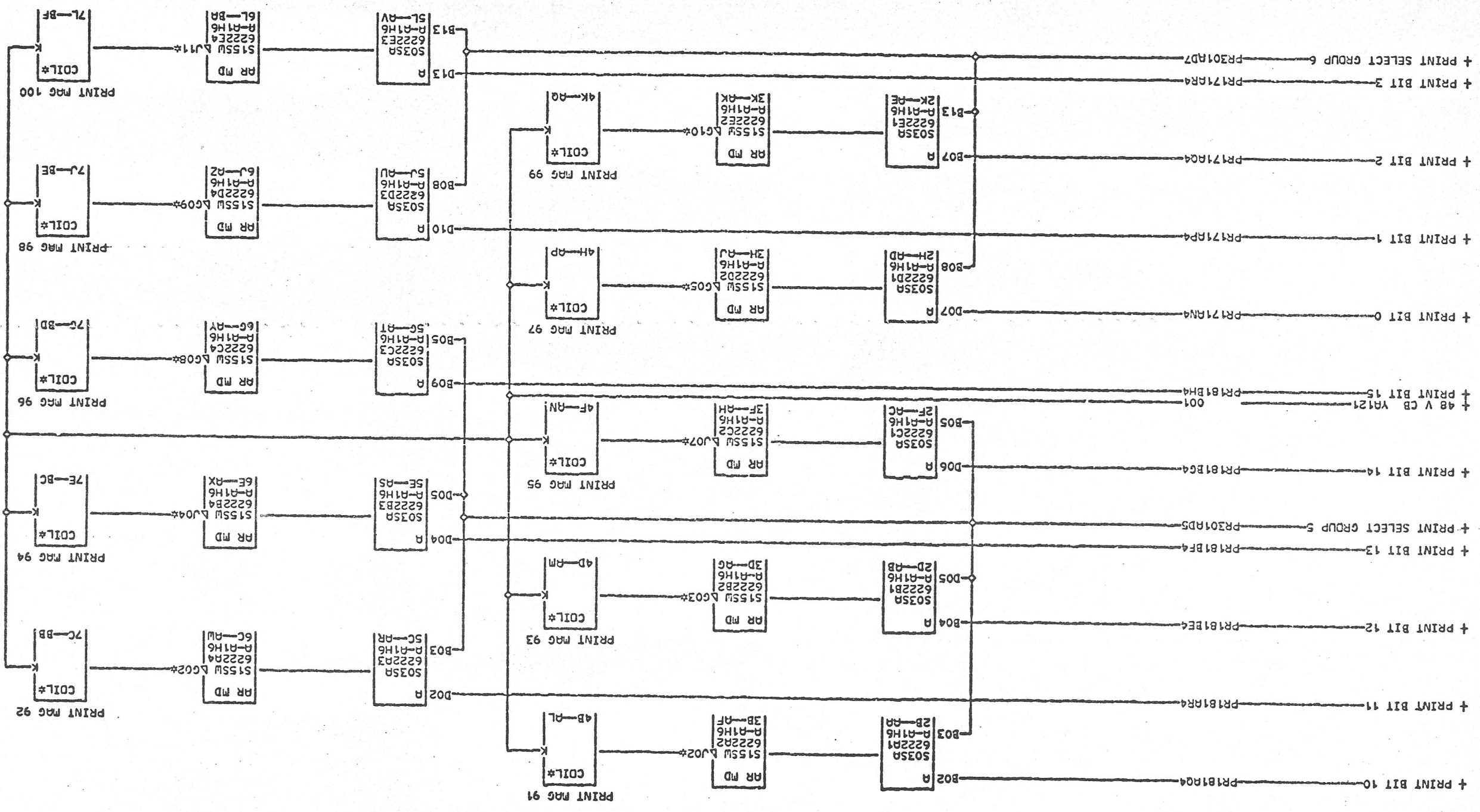
PRINT MAGNETS AND DRIVERS
81-90
DATE 07-20-65 PCH# 1132
LDG 201F FRAME 03
P#No 2201177
IBM CORP. CPD BLK# 86



FFA R-1A7D2 BAA R-1A7D13
RCA R-1A7D5
RHA R-1A7D7
RJA R-1A7D10
RKA R-1A7D12
RLA R-1A7D04
RLA R-1A7D06
RYA R-1A7D09
RZA R-1A7D11

02-17-65 4154B0
04-13-65 4154B0C
07-20-65 4154B2

PRINT MAGNETS AND DRIVERS
91-100
DATE 07-20-65 FRCH. 1132
201F FRAME 03
LDG
P.N. 2201178
IBM CORP. CPD-ELK.
000

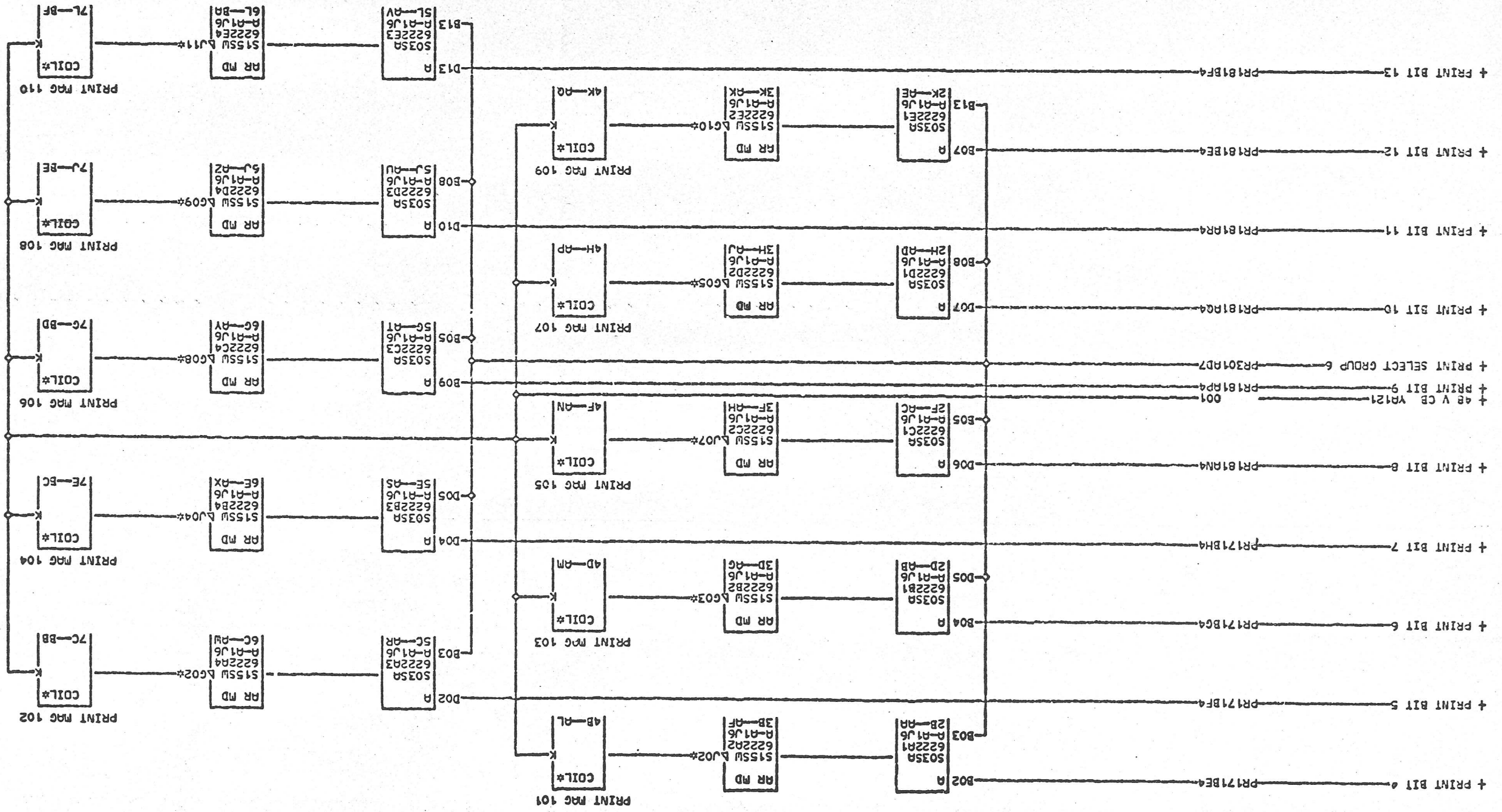


2-2

RFA R-01B7E02 BAA R-01B7B13
RCA R-01B7E04
RQA R-01B7E07
RRA R-01B7E09
RUA R-01B7B12
RVA R-01B7B03
RWA R-01B7E05
RZA R-01B7E08
RZA R-01B7B10

02-17-65 415480
04-13-65 415480C
07-20-65 415482

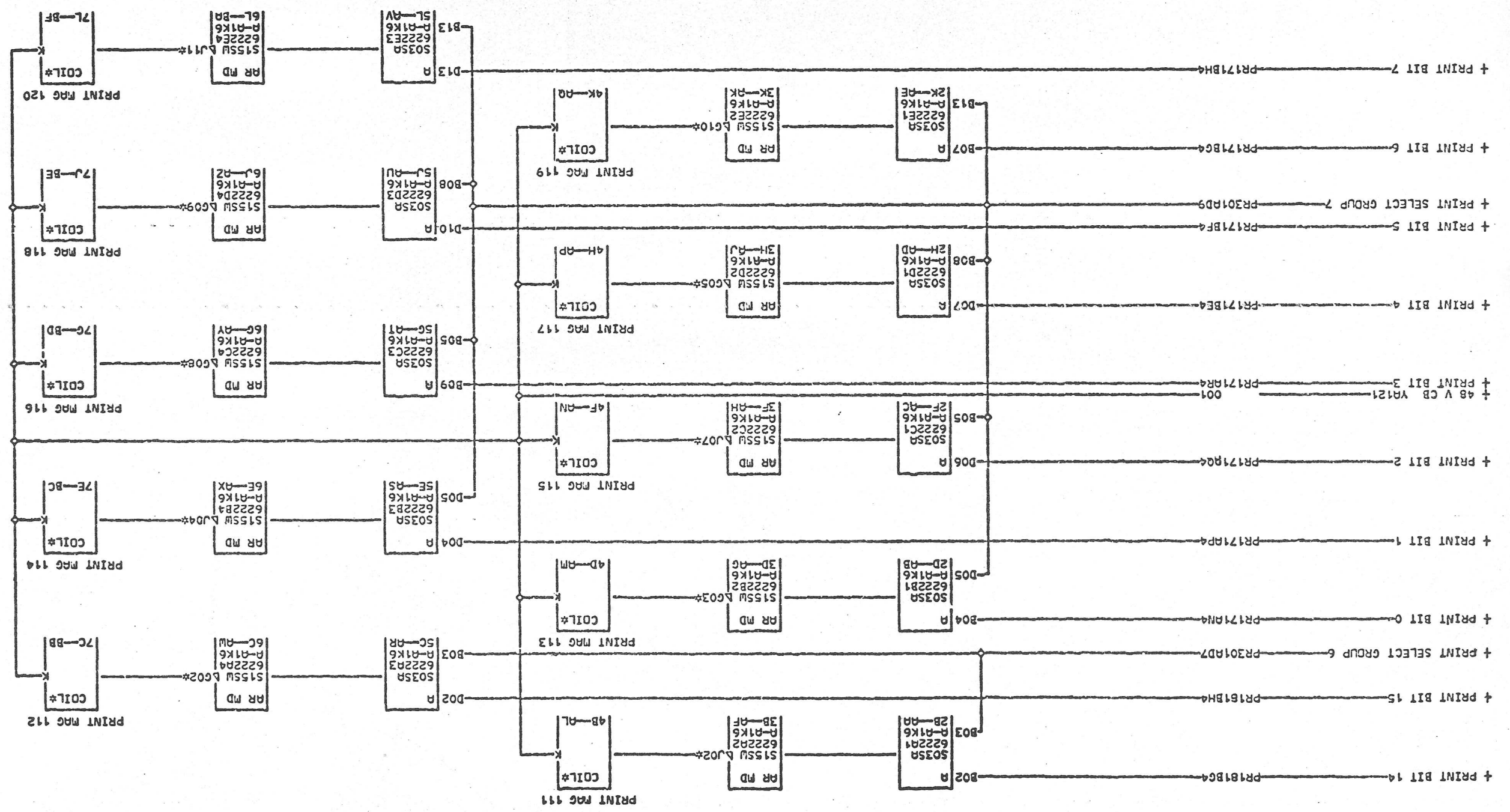
PRINT MAGNETS AND DRIVERS
101-110
DATE 07-20-65 RCH, 113Z
LDC 201F FRAME 03
P.N. 2201179
IBM CORP. 6PD BLK. 6G
000



PR4 P-1B7D02 BA4 R-1B7D13
PR4 P-1B7D05
PR4 P-1B7D07
PR4 P-1B7D10
PR4 P-1B7D12
PR4 P-1B7D04
PR4 P-1B7D06
PR4 P-1B7D09
PR4 P-1B7D11

02-17-65 415480
04-13-65 415480C
07-20-65 415482

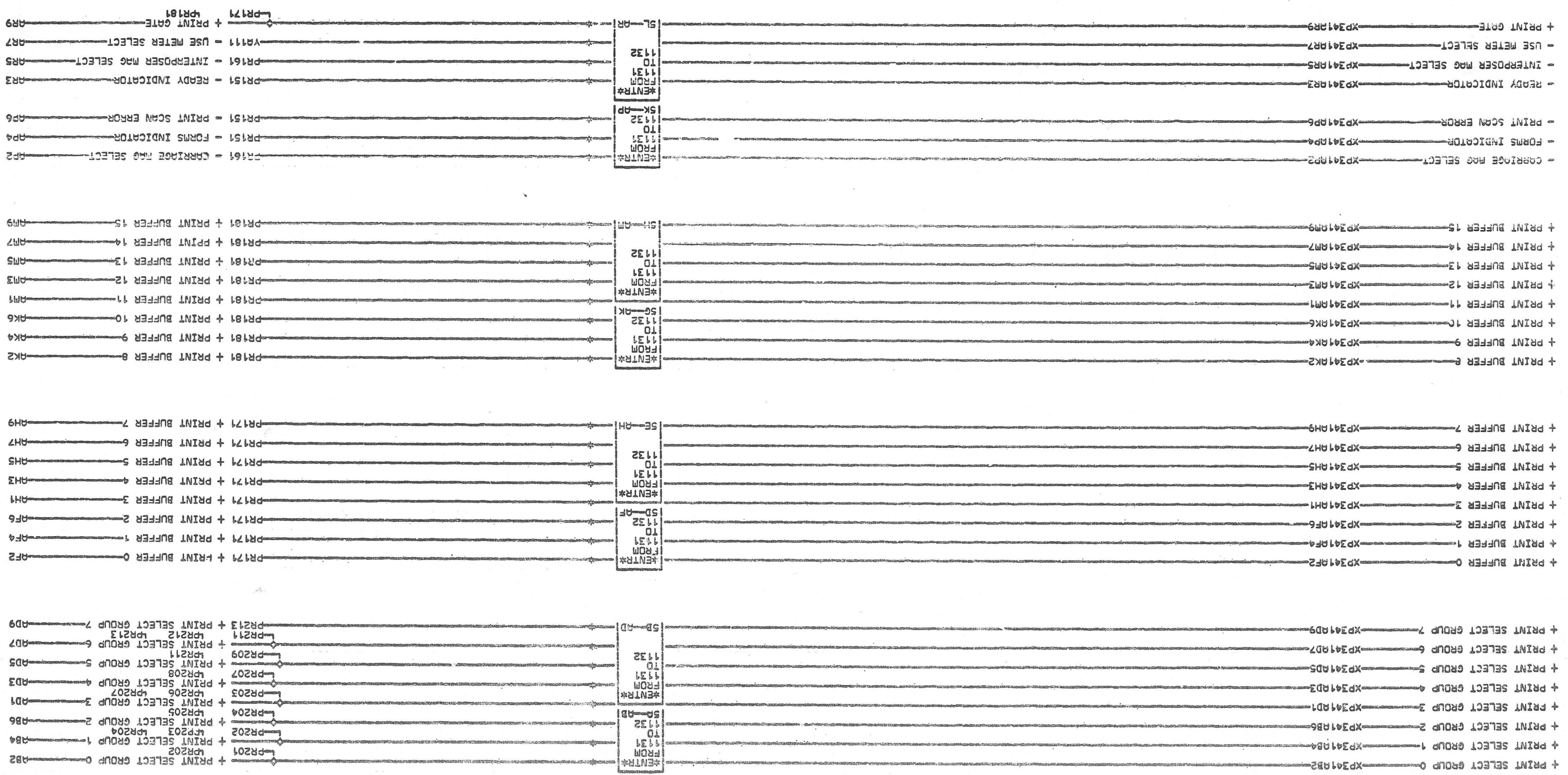
PRINT MAGNETS AND DRIVERS
11-120
DATE 07-20-65 RCH# 1132
LDG 201F FRAME 03
P.No 2201160
IBM CORP. CPD BLK# 56
000



RB2 P-11N4D10 RA P-11N5D02 RK6 P-11N5B08 RA2 P-11N4D06
 RB6 P-11N4D11 RF6 P-11N5B03 RM1 P-11N5D09 RA7 P-11N4D09
 RD1 P-11N4D12 RH1 P-11N5B04 RM3 P-11N5D09 RA7 P-11N4D09
 RD3 P-11N5B12 RH3 P-11N5D05 RM7 P-11N5B10 RA9 P-11N4B13
 RD7 P-11N5D12 RH7 P-11N5B05 RM9 P-11N5D11
 RD9 P-11N5D12 RH9 P-11N5D06 RM2 P-11N4D07
 RD2 P-11N5D12 RK2 P-11N5B07 RP4 P-11N4D02
 RF2 P-11N5B02 RK4 P-11N5D07 RP6 P-11N4D04

04-13-65 415480C
 10-21-65 415492
 08-24-68 131289

PRINTER ENTRY
 DATE 08-21-68 MACH# 1132
 LOG 1271 FRAME 03
 P.No. 2201223
 AS
 IBM CORP. CPD BLK. 000

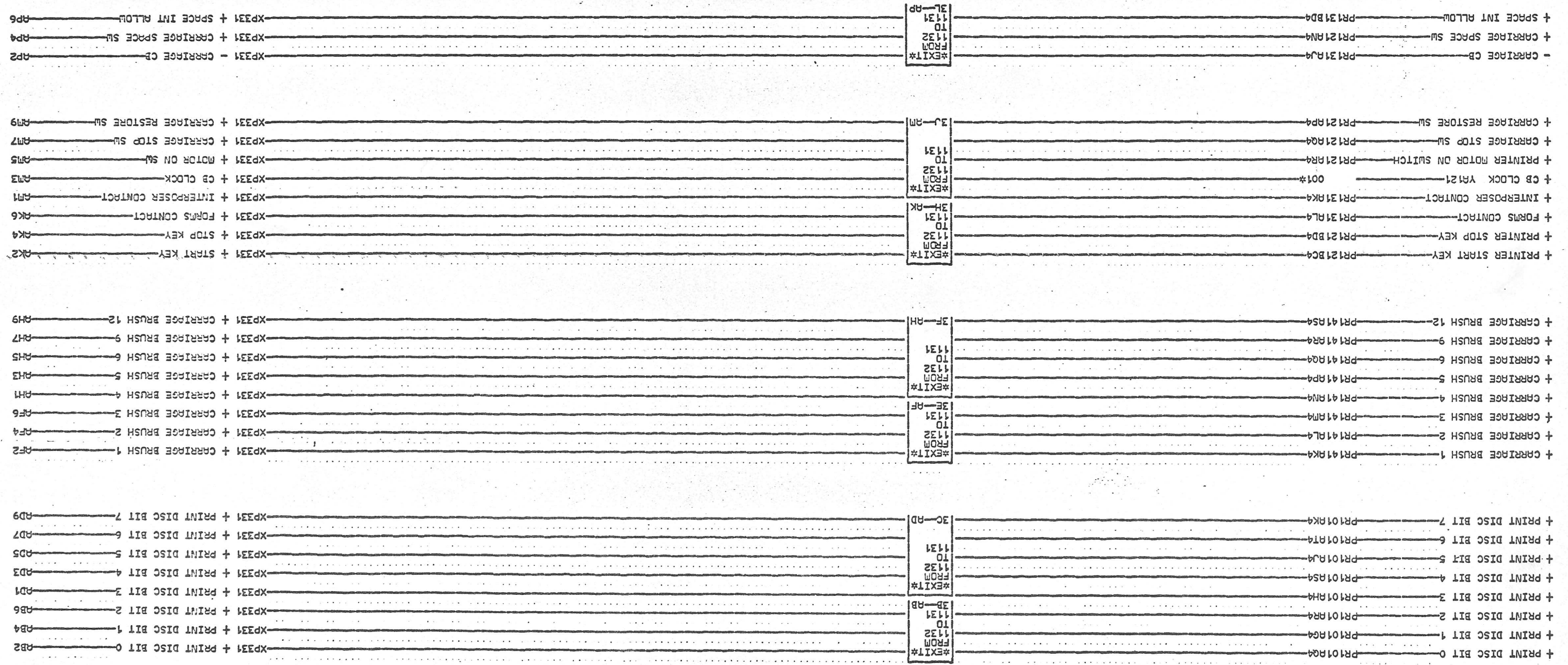


001
03A-A1R2B02
03A-A1N4B02

04-13-65 415480C
10-21-65 415492
08-10-66 419621

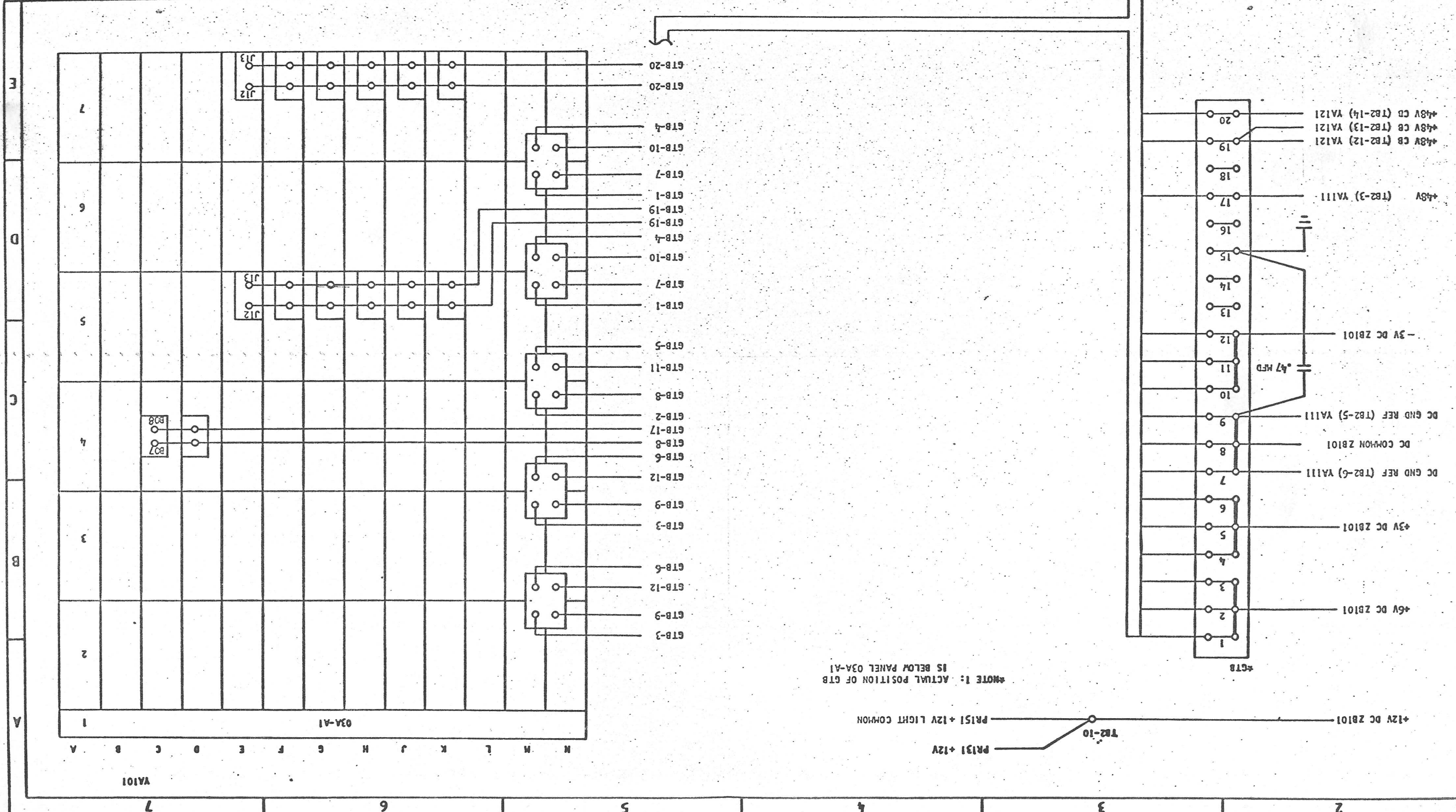
IBM CORP. CPD BLK. 000
P. No. 2201224
LOG 2345 FRAME 03
DATE 08-22-66 TACH. 1132
PRINTER EXIT

2-2



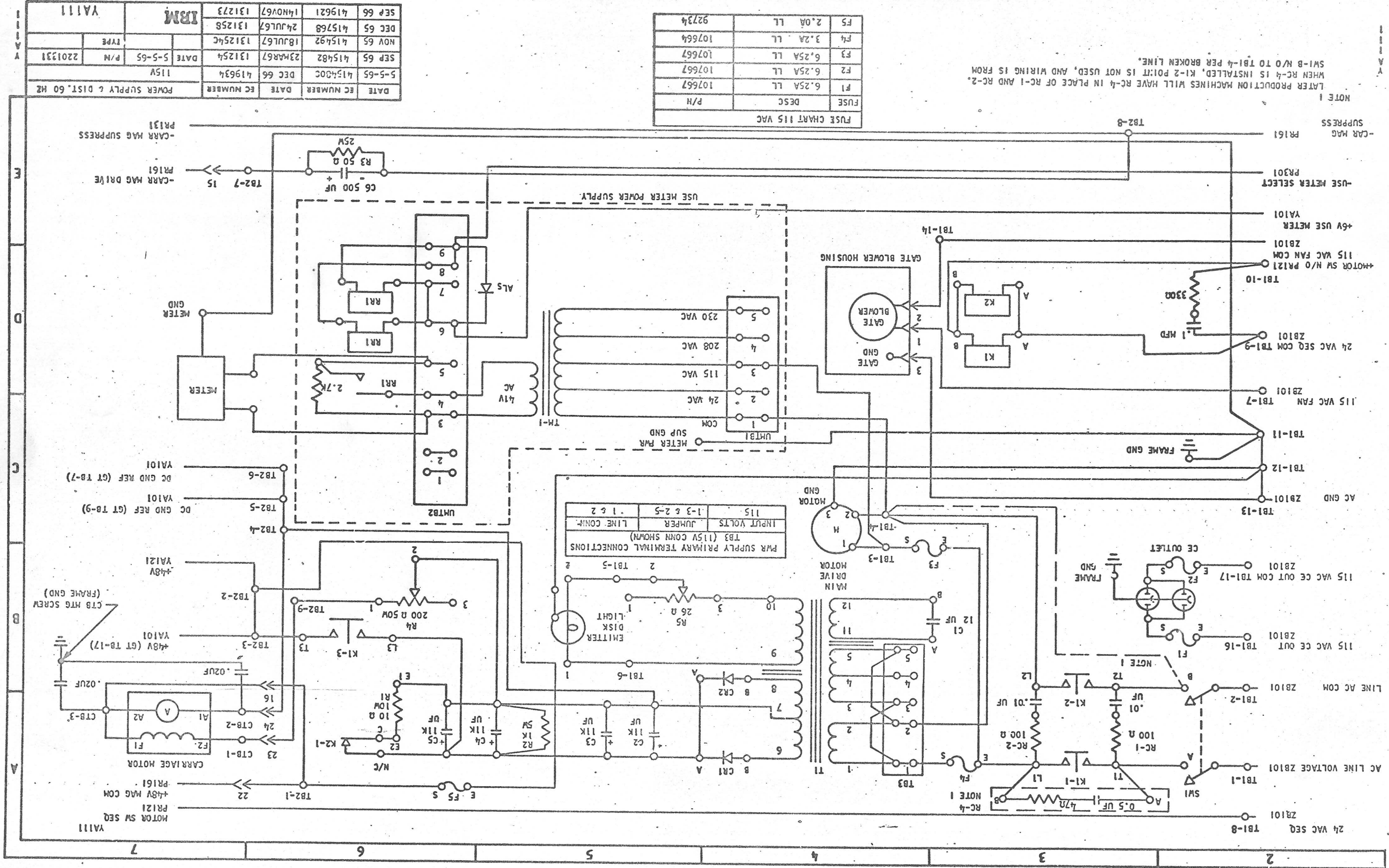
GTB-1	PR121,131	+6V PRINTED CKT PWR (B16)
GTB-3	YA111	+6V USE METER
GTB-3	YA121	+6V LOGIC DIST (TR2-17)
GTB-7	YA121	GND LOGIC DIST (TR2-18)
GTB-8	PR121	GND PRINTED CKT PWR (B3)
GTB-10	PR121,131	-3V PRINTED CKT PWR (C14)
GTB-12	YA121	-3V LOGIC DIST (TR2-16)

DATE	EC NUMBER	DATE	EC NUMBER	DC POWER DISTRIBUTION	
5-7-65	415450C	5-7-65	415452	P.N.	2201330
SEP 65	415452	DEC 65	415768	TYPE	1132
AUG 66	415619				
DEC 66	415634				



Z-2

YAI01



FUSE CHART 115 VAC

FUSE	DESC	P/N
F1	6.25A LL	107667
F2	6.25A LL	107667
F3	6.25A LL	107667
F4	3.2A LL	107664
F5	2.0A LL	92734

NOTE 1
 LATER PRODUCTION MACHINES WILL HAVE RC-4 IN PLACE OF RC-1 AND RC-2.
 WHEN RC-4 IS INSTALLED, K1-2 POINT IS NOT USED, AND WIRING IS FROM
 SW1-B W/O TO TBI-4 PER BROKEN LINE.

DATE	EC NUMBER	DATE	EC NUMBER	POWER SUPPLY & DIST. 60 HZ
SEP 66	419621	14NOV67	131273	IBM
DEC 65	415768	24JUL67	131258	VA111
NOV 65	415492	18JUL67	131254c	
SEP 65	415482	23MAR67	131254	DATE 5-5-65 P/M 2201331
5-5-65	415400c	DEC 66	419634	115V

PAR SUPPLY PRIMARY TERMINAL CONNECTIONS
 TB3 (115V CONN SHOWN)

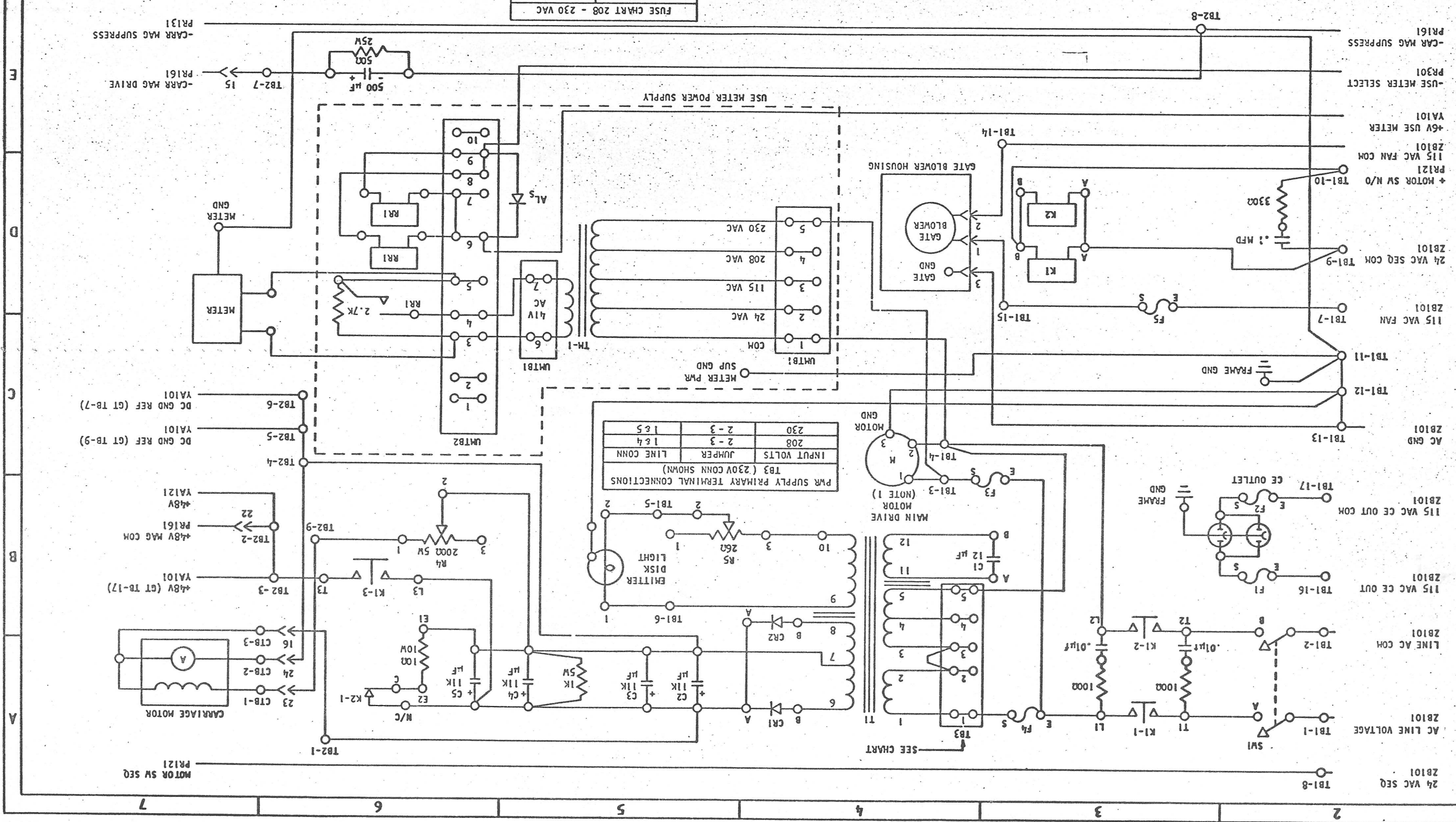
INPUT VOLTS	JUMPER	LINE CONN.
115	1-3 & 2-5	1 & 2

22

DATE	EC NUMBER	DATE	EC NUMBER	POWER SUPPLY & DIST. 60 HZ	208/230V	YAI11
OCT 66	415781	OCT 66	419634			
DEC 66	419634	DATE				
		P/N				
		TYPE				
						1132

FUSE CHART 208 - 230 VAC	
DESC	P/N
6.25A LL	107667
6.25A LL	107667
3.2A LL	107664
1.6A LL	228391
0.8A LL	117401

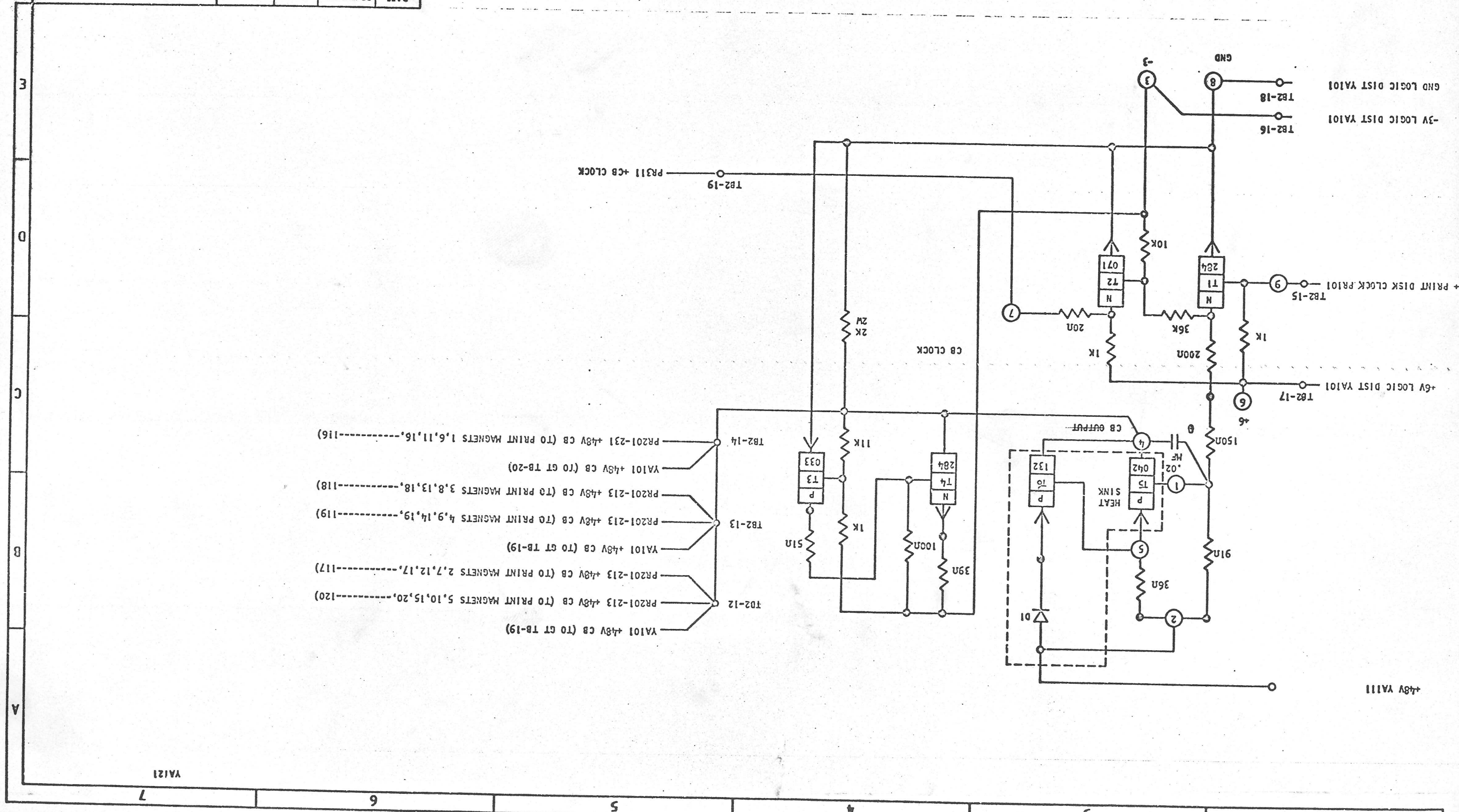
NOTES:
1. SEE DIAGRAM ON INSIDE OF MOTOR TERMINAL COVER FOR ACTUAL ELECTRICAL CONNECTIONS.



PWR SUPPLY PRIMARY TERMINAL CONNECTIONS		
230	2-3	1 & 5
208	2-3	1 & 4
JUMPER LINE CONN		
TB3 (230V CONN SHOWN)		

SEE CHART

7 6 5 4 3 2



DATE	EC NUMBER	DATE	EC NUMBER	+48V PRINT
5-5-65	415420-C			MAGNET CB
NOV 65	415492			

DATE	DATE	P/N	TYPE	YAI21
5-5-65		220133Z	113Z	

2 2

YA121

7

6

5

4

3

2

1

E

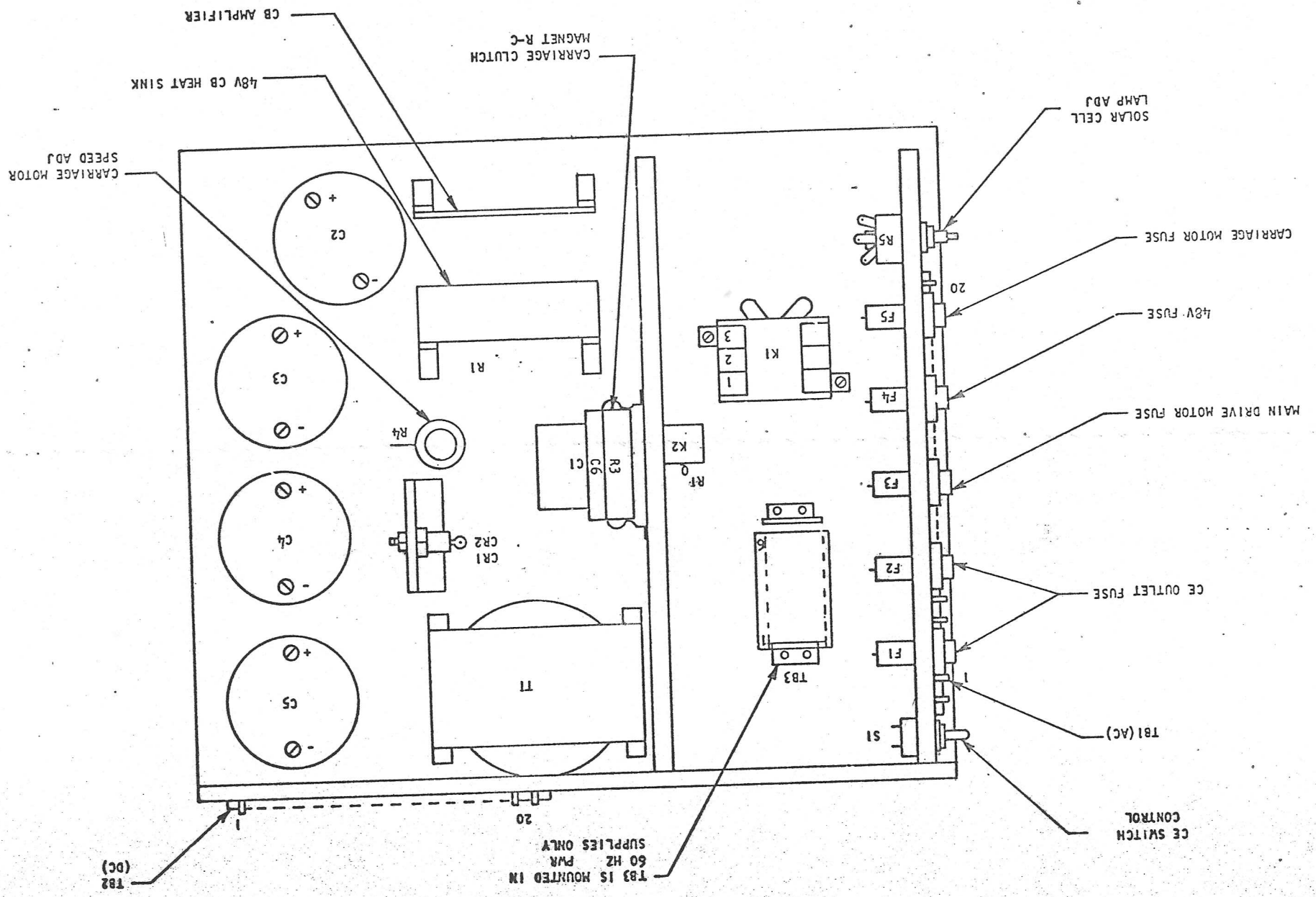
D

C

B

A

DATE		EC NUMBER	DATE	EC NUMBER	DATE	EC NUMBER
5-5-65		4154E0C	415482	419634	131254	2 MAR 67
50 ± 60 HZ						
P/N		2201333	TYPE	1132	Y A I 3 I	
Y A I 3 I		IBM				
48V DC POWER SUPPLY						



2-2

E
D
C
B
A

7 6 5 4 3 2

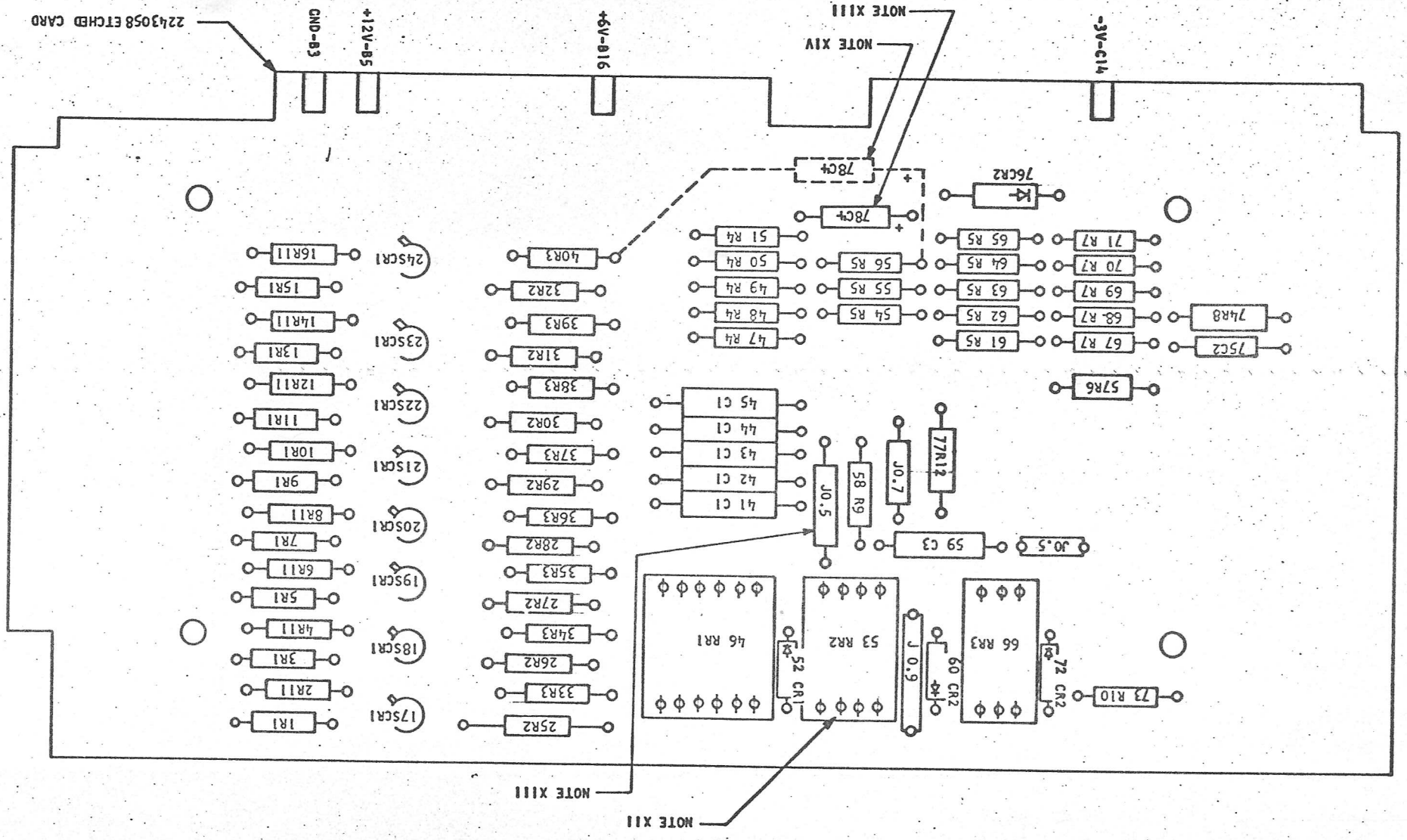
YA131

DATE	EC NUMBER	DATE	EC NUMBER	SCR READ BRUSH LATCH CARD
MAY 65	415480C	NOV 66	415621B	3 JONES PLUG LAYOUT
NOV 65	415492	DEC 66	419634	
DEC 65	415768			
MAR 66	415768A			
SEPT 66	419621			
IBM				
YA141				
		DATE	SEPT 66	P/N
		TYPE		1132

SHEET 1 OF 2

NOTES:
 XI ALL RESISTORS 1/2W, 5% UNLESS OTHERWISE NOTED.
 XII REED RELAY DIRECTION OF SLOTS AS SHOWN.
 XIII PRESENT ONLY ON LATER PRODUCTION CARDS.
 XIV PRESENT ONLY ON REWORKED CARDS.

QTY	DESCRIPTION	PART NO.	CODE
8	1R1, 3.5, 7.9, 11, 13, 15R1	216481	36K, 1/4W
8	25R2 - 32R2	317003	47Ω
8	33R3 - 40R3	132400	56Ω
5	47R4 - 51R4	317018	1.6K
8	54R5 - 56R5, 61R5-65R5	323918	180Ω
1	57R6	213693	1K
5	67R7 - 71R7	356740	270Ω
1	74R8	333202	240Ω
1	58R9	216445	1K, 1/4W
1	73R10	492615	200Ω, 1/4W
5	41C1 - 45C1	364889	.047μF
1	75C2	491320	.1μF
1	59C3	124587	6.8μF
1	46R1	766073	REED RELAY
1	53R2	766041	REED RELAY
1	66R3	766059	REED RELAY
8	17SCR1-24SCR1	5261393	RECTIFIER
1	52CR1	503591	F5
3	60CR2, 72CR2, 76CR2	491008	AAS
8	811399	811399	SPACER
26	483316	483316	CONTACT
AR	WIRE, BARE	491296	
8	216440	216440	560Ω, 1/4W
1	77R12	216464	6.8K
1	78C4	124595	47 μF



2-2

E

D

C

B

A

7

6

5

4

3

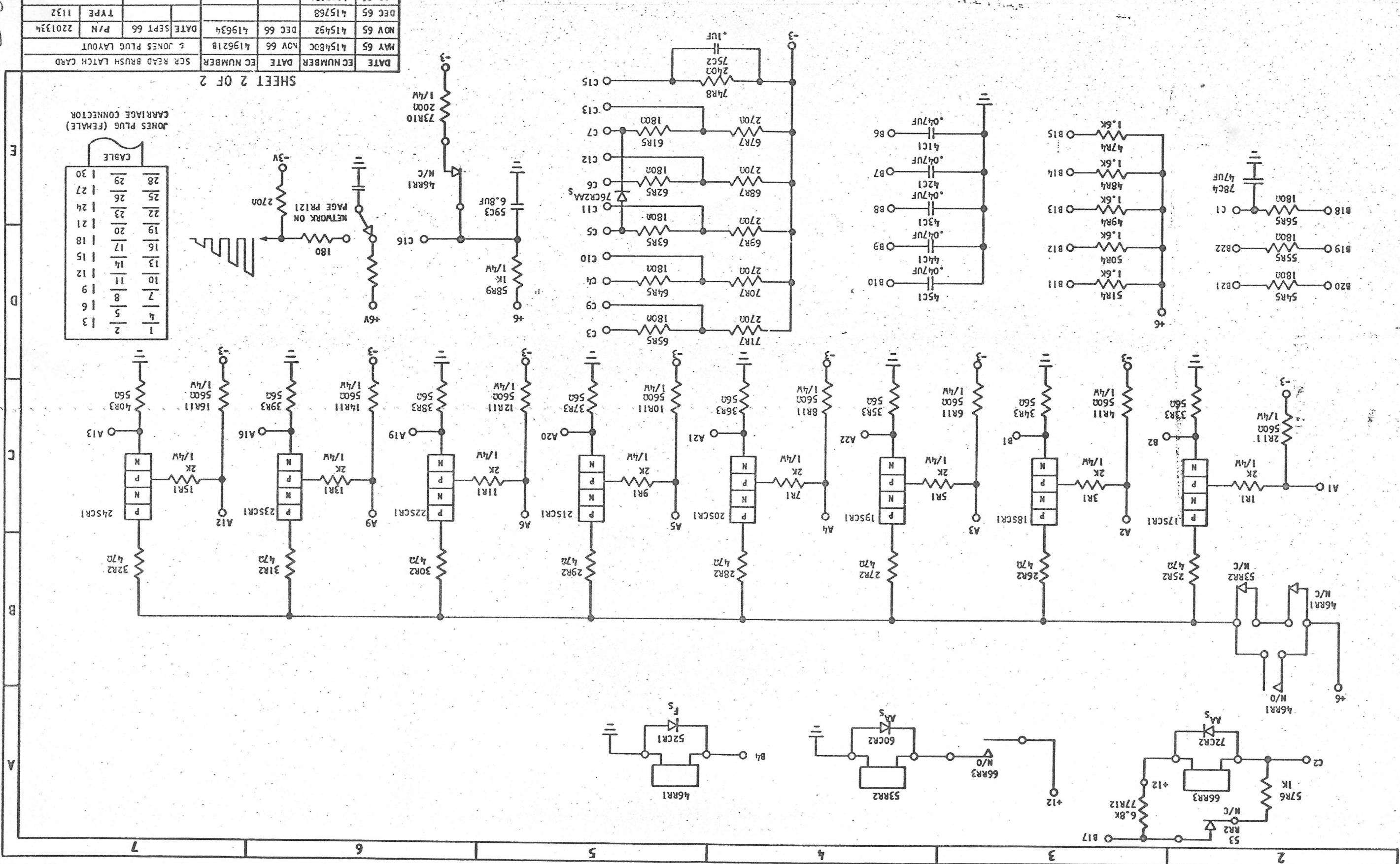
2

DATE	EC NUMBER	DATE	EC NUMBER	DATE	EC NUMBER	DATE	EC NUMBER
MAY 65	415480C	NOV 66	419621B	NOV 65	415492	DEC 66	419634
NOV 65	415492	DEC 66	419634	DEC 65	415768	DEC 65	415768
MAR 66	415768A	MAR 66	415768A	SEPT 66	TYPE	TYPE	TYPE
SEPT 66	419621	SEPT 66	419621	SEPT 66	2201334	2201334	1132
IBM				YA141			

SHEET 2 OF 2

JONES PLUG (FEMALE)
CARRIAGE CONNECTOR

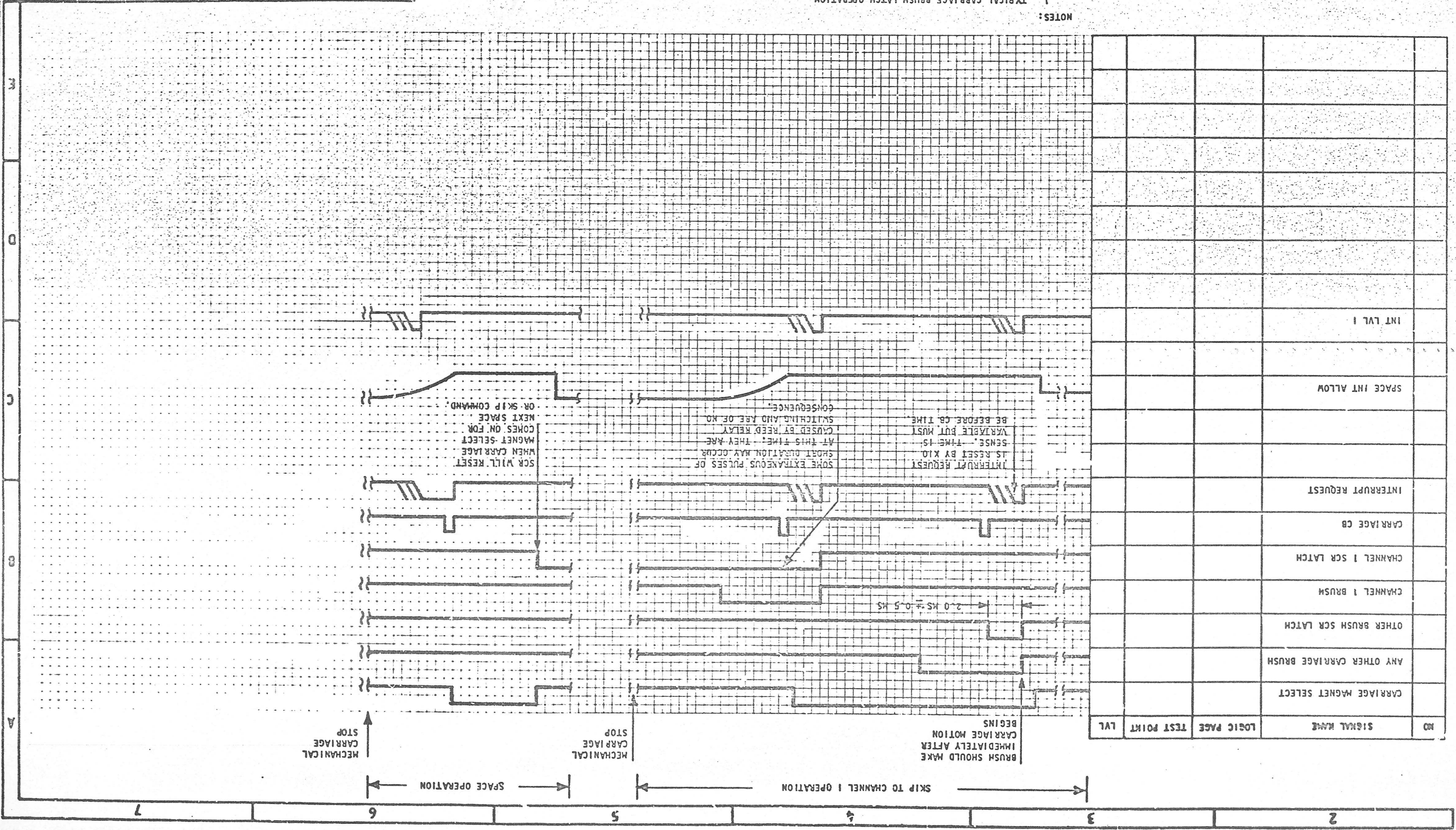
1	2	3	4	5	6	7	8	9	10	11	12	13	14	15	16	17	18	19	20	21	22	23	24	25	26	27	28	29	30	



22

DATE	EC NUMBER	DATE	EC NUMBER	CARRIAGE BRUSH LATCH	YAA142
SEP 66	419621			TIMING CHART	
NOV 66	419621B	DATE	419621		
		P/M	2231323		
		TYPE			

NOTES:
 1. TYPICAL CARRIAGE BRUSH LATCH OPERATION.
 MAY BE APPLIED TO ANY BRUSH



NO	SIGNAL NAME	LOGIC PAGE	TEST POINT	LVL
	CARRIAGE MAGNET SELECT			
	ANY OTHER CARRIAGE BRUSH			
	OTHER BRUSH SCR LATCH			
	CHANNEL 1 BRUSH			
	CHANNEL 1 SCR LATCH			
	CARRIAGE CB			
	INTERRUPT REQUEST			
	SPACE INT ALLOW			
	INT LVL 1			

2-2

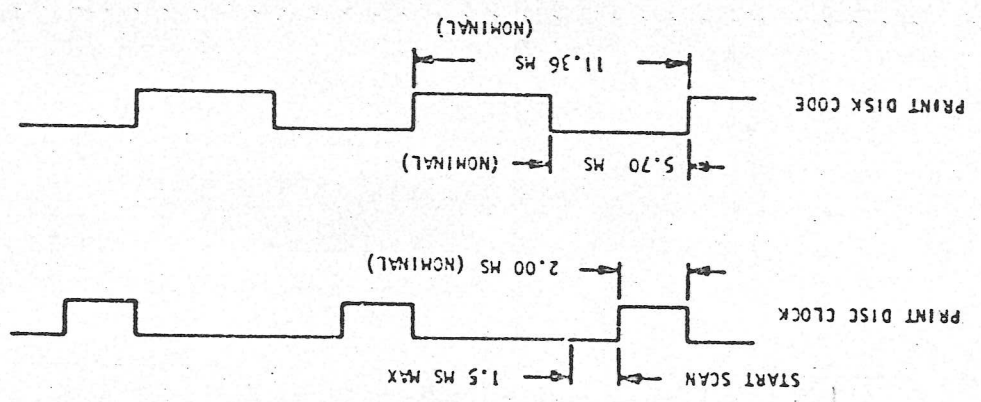
161A Y

DATE	EC NUMBER	DATE	EC NUMBER	DATE	EC NUMBER	DATE	EC NUMBER
5-5-65	415480C						
TIMING CHART - PRINT DISC							
DATE	EC NUMBER	DATE	EC NUMBER	DATE	EC NUMBER	DATE	EC NUMBER
9-3-64	P N	2201336	TYPE	1132	YAI61		

2-N

E
D
C
B
A

DISC SPEED - 108 RPM



YAI61

7

6

5

4

3

2